

GS1 System

Ideal-Message ORDERS 4.7.0

15.03.2018

Based on EANCOM ® 2002

ORDERS 4.7.0

Documentation conventions

Format and pictures

as described in column "Format" of segment details

Character type:

a :alphabetic characters
n :numeric characters
an :alpha-numeric characters

Size:

Fixed : all positions must be used
Variable : positions may be used up to a specified maximum

Examples:

as described in column "St" of segment details

Status indicators

as described in column "St" of segment details

(R)equired

Indicates that the entity is required and must be sent. (This status is set by EANCOM®.)

(C)onditional

Indicates that the entity is conditional and may be sent at the discretion of the user.

(D)ependent

Indicates that the entity must be sent in certain conditions, as defined by the relevant explanatory note.

(N)ot used

Indicates that the entity is not used.

Restriction indicators

as described in column "R" of segment details

Restricted (*)

A data element marked with an asterisk (*) in the fourth column of the segment details of a message indicates that the listed codes in column five are the only codes available for use with the data element at the same level as the asterisk, in the current segment, in the current message.

Open

All data elements in which coded representation of data is possible, and in which a restricted set of code values is not indicated, are open. The available codes are listed in the Data Elements and Code Sets Directory (Part III of this manual). Code values may be given as examples or there may be a note on the format or type of code to be used.

ORDERS 4.7.0

Message description

This message is intended to be used in day to day ordering transactions.

The recommended business practice is that one Purchase Order is placed for one delivery in one location at one time.

You can order several kind of deliveries:

1. Ordinary deliveries (Deliveries to distribution center)
2. Direct store deliveries
3. Crossdocking
4. Transshipment

The kind of delivery can be recognized by content of message:

Ordinary delivery:

BGM+220+101' Order number 101
NAD+BY+7612345000183::9' GLN of buyer
NAD+SU+7612345000190::9' GLN of supplier
NAD+DP+7612345002170::9' GLN of distribution center

Direct store delivery:

BGM+220+102' Order number 102
ALI+++148' (conditional)
NAD+BY+7612345000183::9' GLN of buyer
NAD+SU+7612345000190::9' GLN of supplier
NAD+DP+7612345002316::9' GLN of store

Crossdocking delivery one-level / transshipment:

BGM+401+103' Order number 103
NAD+BY+7612345000183::9' GLN of buyer
NAD+SU+7612345000190::9' GLN of supplier
NAD+DP+7612345002170::9' GLN of distribution center
NAD+UC+7612345002316::9' GLN of store

Crossdocking delivery two-level:

BGM+402+104' Order number 104
NAD+BY+7612345000183::9' GLN of buyer
NAD+SU+7612345000190::9' GLN of supplier
NAD+DP+7612345002170::9' GLN of distribution center

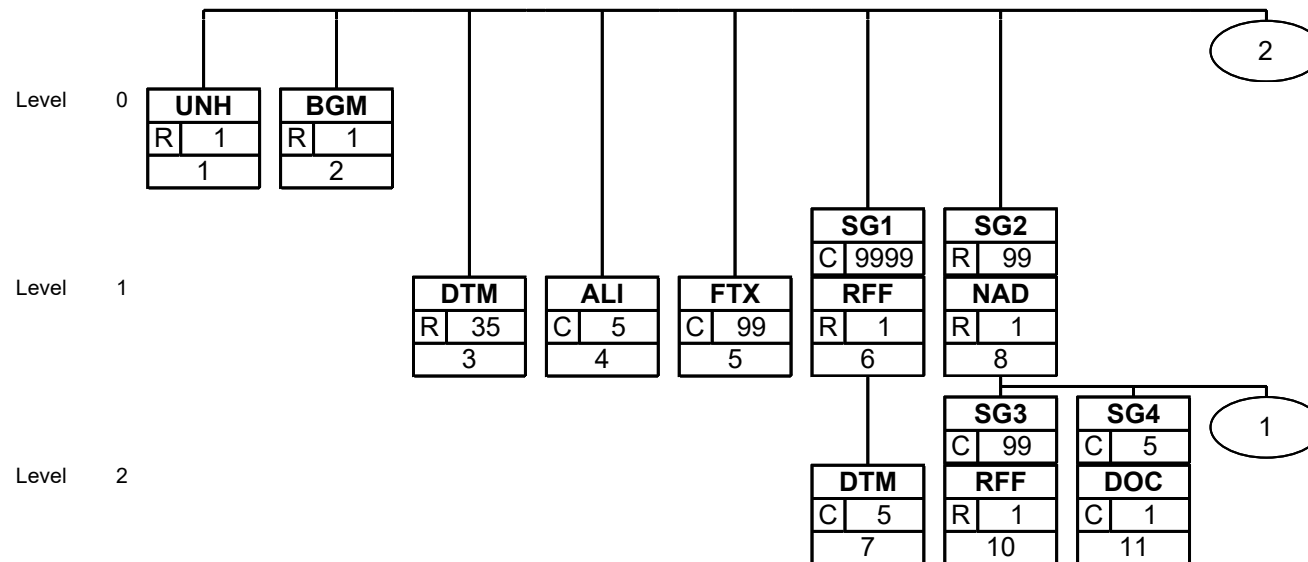
It is recommended to send normal orders and promotion orders with different messages.

Consignment process

Supplier is filling stock at retailers side and sends backorder = 23E Manufacturer raised consignment order (GS1 Code)
Supplier fills the goods at retailer site = 227 Consignment Order
Retailer takes goods out of consignment stock = 26E Consignment issue (GS1 Code)

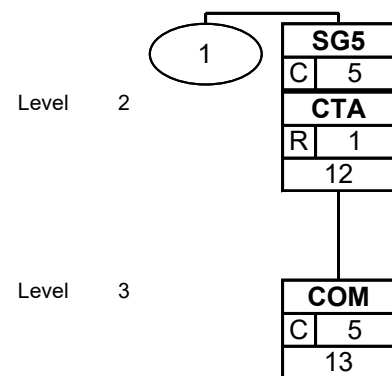
ORDERS 4.7.0

Branching diagram



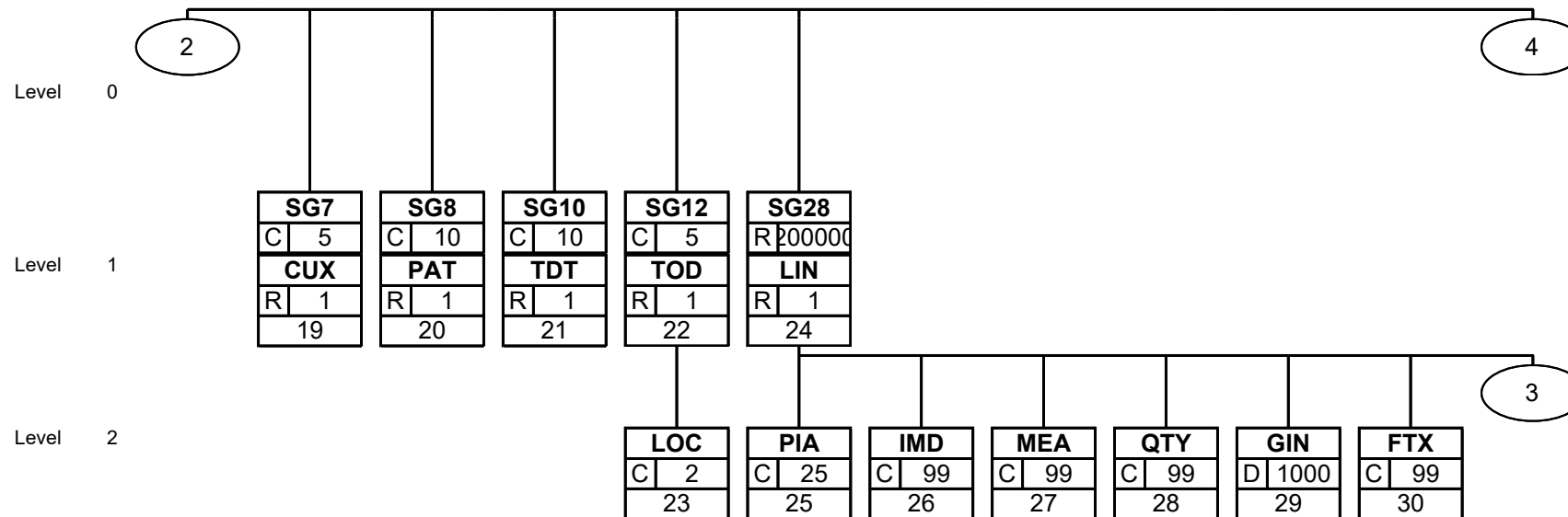
ORDERS 4.7.0

Branching diagram



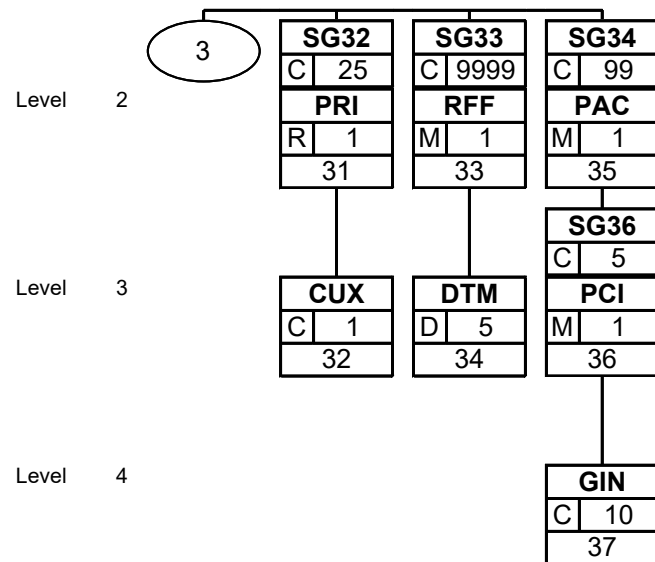
ORDERS 4.7.0

Branching diagram



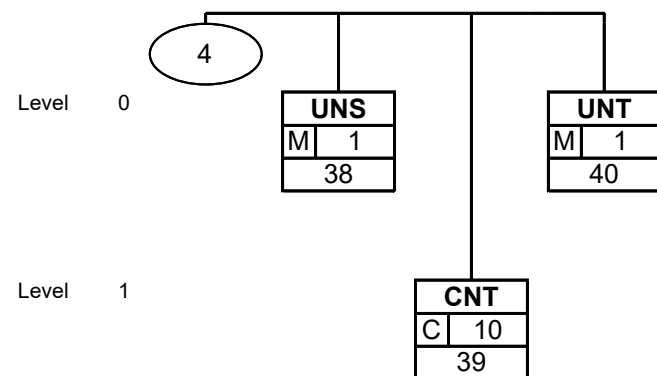
ORDERS 4.7.0

Branching diagram



ORDERS 4.7.0

Branching diagram



ORDERS 4.7.0

Segments Layout

Segment **UNH** No.: 1 Level: 0 Message header
 Status: R Max. occ.: 1

Description Message header

Description of Segment:

	Description	St Format	*	Example	Remarks
0062	Message reference number	R an..14		+1	Sender's unique message reference. Sequence number of the messages in the interchange. DE 0062 in the UNT will be exactly the same. Sender generated. Numbers in ascending order without gaps.
S009	Message identifier	R			
0065	Message type	R an..6	*	+ORDE RS	ORDER = Purchase order message S
0052	Message version number	R an..3	*	:D	D = Draft version/UN/EDIFACT Directory
0054	Message release number	R an..3	*	:01B	01B = Release 2001 - B
0051	Controlling agency, coded	R an..3	*	:UN	UN = UN/CEFACT
0057	Association assigned code	R an..6	*	: EAN010'	EAN01 = GS1 version control number (GS1 Code) 0

Description:

This segment is used to head, identify and specify a message.

Example:

UNH+1+ORDERS:D:01B:UN:EAN010'

ORDERS 4.7.0

Segments Layout

Segment **BGM** No.: 2 Level: 0 Beginning of message
 Status: R Max. occ.: 1

Description Beginning of message

Description of Segment:

	Description	St Format	*	Example	Remarks
C002	Document/message name	R			
1001	Document name code	R an..3	*	+220	220 = Order 22E = Manufacturer raised order (GS1 Code) 23E = Manufacturer raised consignment order (GS1 Code) 26E = Consignment issue order (GS1 Code) 401 = Transshipment order 402 = Cross docking order 22E = VMI-Orders To mark crossdocking orders and transshipment orders with codes 402/401 is conditional as these types of deliveries can be identified by the content of the messages (see message description.)
1131	Code list identification code	C an..17	:		
3055	Code list responsible agency code	D an..3	*	:9	9 = GS1 D:Code 9 may only be used in connection with qualifier 22E
C106	Document/message identification	R			
1004	Document identifier	R an..35		+128576	Order Number assigned by document sender. It is recommended that the length of the document number be restricted to a maximum of 17 characters.
1225	Message function code	R an..3	*	+9	9 = Original 31 = Copy
4343	Response type code	D an..3	*	+AC'	AC = Acknowledge - with detail and change D:This DE is used if the order issuer wishes to explicitly indicate whether an acknowledgement is required or not.

Description:

This segment is used to indicate the type and function of a message and to transmit the identifying number.

Example:

BGM+220+128576'



ORDERS 4.7.0

Segments Layout

BGM+22E::9+33024+9'

ORDERS 4.7.0

Segments Layout

Segment **DTM** No.: 3 Level: 1 Date/time/period
 Status: R Max. occ.: 35

Description Date/time/period

Description of Segment:

	Description	St Format	*	Example	Remarks
C507	Date/time/period	R			
2005	Date or time or period function code qualifier	R an..3	*	+137	2 = Delivery date/time, requested 11 = Despatch date and/or time 63 = Delivery date/time, latest 64 = Delivery date/time, earliest 137 = Document/message date/time 200 = Pick-up/collection date/time of cargo 282 = Confirmation date lead time Code value 137 is required
2380	Date or time or period value	R an..35		: 2005013 0083015	
2379	Date or time or period format code	R an..3	*	:204'	204 = CCYYMMDDHHMMSS

Description:

This segment is used to specify the date of the Order and, where required, requested dates concerning the delivery of the goods.

DE 2005: Identification of the 'Document/message date/time' (code value 137) is mandatory in an EANCOM message.

Example:

DTM+137:20050130083015:204'

ORDERS 4.7.0

Segments Layout

Segment **ALI** No.: 4 Level: 1 Additional information
 Status:C Max. occ.: 5

Description Additional information

Description of Segment:

	Description	St Format	*	Example	Remarks
3239	Country of origin name code	N an..3		+	
9213	Duty regime type code	N an..3		+	
4183	Special condition code	C an..3	*	+148'	148 = Supply direct delivery

Description:

This segment is used to specify any additional information related to the complete order.

This segment can be used to mark DSD (Direct store delivery)

Example:

ALI+++148'

ORDERS 4.7.0

Segments Layout

Segment **FTX** No.: 5 Level: 1 Free text
 Status: C Max. occ.: 99

Description Free text

Description of Segment:

	Description	St Format	*	Example	Remarks
4451	Text subject code qualifier	R an..3	*	+DIN	DIN = Delivery instructions
4453	Free text function code	N an..3		+	
C107	Text reference	N			
4441	Free text value code	N an..17		+	
C108	Text literal	R			
4440	Free text value	R an..51		+You herewith accept the procut liability law of Switzerl and	
4440	Free text value	C an..51		:	
4440	Free text value	C an..51		:	
4440	Free text value	C an..51		:	
4440	Free text value	C an..51		:'	

Description:

This segment is used to provide free form or coded text information for the entire purchase order. Use of this segment in free form is not recommended since it may inhibit automatic processing of the Order. Coded references to standard texts is an available functionality which enables automatic processing and reduces transmission and processing overheads. Standard texts should be mutually defined among trading partners and can be used to cover legal and other requirements.

Example:

FTX+DIN+++You herewith accept the procut liability law of Switzerland'

ORDERS 4.7.0

Segments Layout

Group **SG1** Status:C Max. occ.: 9999 RFF-DTM

Segment **RFF** No.: 6 Level: 1 Reference
 Status:R Max. occ.: 1

Description Reference

Description of Segment:

	Description	St Format	*	Example	Remarks
C506	Reference	R			
1153	Reference code qualifier	R an..3	*	+ON	BO = Blanket order number DQ = Delivery note number IA = Internal vendor number ON = Order number (buyer) PD = Promotion deal number UC = Ultimate customer's reference number VN = Order number (supplier)
1154	Reference identifier	R an..70		:652744'	

Description:

This segment is used to specify other references which relate to the transmission, for example, contract numbers, price list numbers, etc. The references given at this point are valid for the whole order unless superseded by references at line level.

Example:

RFF+ON:652744'

ORDERS 4.7.0

Segments Layout

Group **SG1** Status:C Max. occ.: 9999 RFF-DTM

Segment **DTM** No.: 7 Level: 2 Date/time/period
Status:C Max. occ.: 5

Description Date/time/period

Description of Segment:

	Description	St Format	*	Example	Remarks
C507	Date/time/period	R			
2005	Date or time or period function code qualifier	R an..3	*	+171	171 = Reference date/time
2380	Date or time or period value	R an..35		: 2006011 5101500	
2379	Date or time or period format code	R an..3	*	:204'	204 = CCYYMMDDHHMMSS

Description:

This segment is used to specify dates relating to the references given in the preceding RFF segment.

Example:

DTM+171:20060115101500:204'

ORDERS 4.7.0

Segments Layout

Group	SG2	Status:R	Max. occ.: 99	NAD-LOC-SG3-SG4-SG5
Segment	NAD	No.: 8 Status:R	Level: 1 Max. occ.: 1	Name and address

Description Name and address

Description of Segment:

	Description	St Format	*	Example	Remarks
3035	Party function code qualifier	R an..3	*	+BY	BY = Buyer CPE = Central payment service DP = Delivery party LSP = Logistic Service Provider (GS1 Temporary Code) IV = Invoicee PW = Despatch party SR = Supplier's agent/representative SU = Supplier UC = Ultimate consignee UD = Ultimate customer WH = Warehouse keeper
C082	Party identification details	D			For identification of the party C082 must be used. Exceptions are only allowed for delivery parties without GLN (home addresses).
3039	Party identifier	R an..35		+761234 5000183	GLN -Format n13 For identification of the party DE 3039 must be used. Exceptions are only allowed for delivery parties without GLN (home addresses). Format EAN-
1131	Code list identification code	N an..17		:	
3055	Code list responsible agency code	R an..3	*	:9	9 = GS1
C058	Name and address	N			
3124	Name and address description	N an..35		+	
C080	Party name	C			This segment group may be used if needed by receiver.
3036	Party name	R an..35		+Handel s AG	
3036	Party name	C an..35		:	
3036	Party name	C an..35		:	
3036	Party name	C an..35		:	
3036	Party name	C an..35		:	

ORDERS 4.7.0

Segments Layout

	Description	St Format	*	Example	Remarks
C059	Street	C			This segment group may be used if needed by receiver.
3042	Street and number or post office box identifier	R an..35		+Kramgasse 17	
3042	Street and number or post office box identifier	C an..35	:	:	
3042	Street and number or post office box identifier	C an..35	:	:	
3042	Street and number or post office box identifier	C an..35	:	:	
3164	City name	C an..35		+Huttwil	This field may be used if needed by receiver.
C819	Country sub-entity details	C			This segment group may be used if needed by receiver.
3229	Country sub-entity name code	C an..9	+		
3251	Postal identification code	C an..17		+4950	This field may be used if needed by receiver.
3207	Country name code	C an..3		+CH'	This field may be used if needed by receiver.

Description:

This segment is used to identify the trading partners involved in the Order process. Identification of the buyer and supplier of goods and services is mandatory using DE's 3035 and C082. Additionally, the invoicee and/or delivery party should be specified if different to the buyer.

The following composites and data elements are only used when a coded name and address can not be used or there is a requirement to furnish the full name and address for the trading party. The affected composites and data elements are as follows:

C080 - C059 - 3164 - C819 - 3251 - 3207

Example:

NAD+BY+7612345000183::9'

NAD+UC+++Frau E. Meier+Hauptstrasse 37+Oberwil++4104+CH'

ORDERS 4.7.0

Segments Layout

Group	SG2	Status:R	Max. occ.: 99	NAD-LOC-SG3-SG4-SG5
Group	SG3	Status:C	Max. occ.: 99	RFF
Segment	RFF	No.: 10 Status:R	Level: 2 Max. occ.: 1	Reference

Description Reference

Description of Segment:

	Description	St Format	*	Example	Remarks
C506	Reference	R			
1153	Reference code qualifier	R an..3	*	+YC1	YC1 = Additional party identification (GS1 Code)
1154	Reference identifier	R an..70		: 7453881 5'	

Description:

This segment is used to specify reference numbers related to the party specified in the previous NAD segment.

Example:

RFF+YC1:74538815'

Supplier 7612345000183 has the internal customer number 75441:

NAD+SU+7612345000183::9'

RFF+YC1:75441'

ORDERS 4.7.0

Segments Layout

Group	SG2	Status:R	Max. occ.: 99	NAD-LOC-SG3-SG4-SG5
Group	SG4	Status:C	Max. occ.: 5	DOC
Segment	DOC	No.: 11 Status:C	Level: 2 Max. occ.: 1	Document/message details

Description Document/message details

Description of Segment:

	Description	St Format	*	Example	Remarks
C002	Document/message name	R			
1001	Document name code	R an..3	*	+270	270 = Delivery note 380 = Commercial invoice
C503	Document/message details	R			
1004	Document identifier	C an..35		+	
1373	Document status code	C an..3		:	
1366	Document source description	C an..70		:	
3453	Language name code	R an..3	*	:DE'	DE = German EN = English FR = French IT = Italian

Description:

This segment is used to provide the consumer language for the paper documents within B2C processes

Example:

DOC+270+:::DE'

ORDERS 4.7.0

Segments Layout

Group	SG2	Status:R	Max. occ.: 99	NAD-LOC-SG3-SG4-SG5
Group	SG5	Status:C	Max. occ.: 5	CTA-COM
Segment	CTA	No.: 12 Status:R	Level: 2 Max. occ.: 1	Contact information

Description Contact information

Description of Segment:

	Description	St Format	*	Example	Remarks
3139	Contact function code	R an..3	*	+OC	OC = Order contact WH = Warehouse CR = Customer relations Qualifier CR may only be used for consumer (NAD+UC)
C056	Department or employee details	R			
3413	Department or employee name code	C an..17	+		
3412	Department or employee name	C an..35	:	Andreas Schneider'	

Description:

This segment is used to identify contact details for the party specified in the previous NAD segment. The GLN - Format n13 - is particularly suitable for this purpose.

Example:

CTA+OC+:Andreas Schneider'

Buyers contact person is Andreas Schneider'

NAD+BY+7612345000183::9'

CTA+OC+:Andreas Schneider'

COM+andreas.schneider@kaufgmbh.ch:EM'

Language of consumer is French'

NAD+UC+7612345002170::9'

CTA+CR+FR'

ORDERS 4.7.0

Segments Layout

Group	SG2	Status:R	Max. occ.: 99	NAD-LOC-SG3-SG4-SG5
Group	SG5	Status:C	Max. occ.: 5	CTA-COM
Segment	COM	No.: 13 Status:C	Level: 3 Max. occ.: 5	Communication contact

Description Communication contact

Description of Segment:

	Description	St Format	*	Example	Remarks
C076	Communication contact	R			
3148	Communication address identifier	R an..51		+andreas.schneider@kaufgmbh.ch	
3155	Communication address code qualifier	R an..3	*	:EM'	EM = Electronic mail FX = Fax TE = Telephone

Description:

This segment identifies the communications number, and type of communications, for the person or department identified in the preceding CTA segment.

Example:

COM+andreas.schneider@kaufgmbh.ch:EM'

Buyers contact person is Andreas Schneider'

NAD+BY+7612345000183::9'

CTA+OC+:Andreas Schneider'

COM+andreas.schneider@kaufgmbh.ch:EM'

ORDERS 4.7.0

Segments Layout

Group	SG7	Status:C	Max. occ.: 5	CUX
Segment	CUX	No.: 19 Status:R	Level: 1 Max. occ.: 1	Currencies

Description Currencies

Description of Segment:

	Description	St Format	*	Example	Remarks
C504	Currency details	R			
6347	Currency usage code qualifier	R an..3	*	+2	2 = Reference currency
6345	Currency identification code	R an..3		:CHF	ISO 4217 three alpha.
6343	Currency type code qualifier	R an..3	*	:9'	9 = Order currency

Description:

This segment is used to specify currency information for the complete order.
The CUX segment is mandatory for international exchanges.

Example:

CUX+2:CHF:9'

ORDERS 4.7.0

Segments Layout

Group	SG8	Status:C	Max. occ.: 10	PAT
Segment	PAT	No.: 20 Status:R	Level: 1 Max. occ.: 1	Payment terms basis

Description Payment terms basis

Description of Segment:

	Description	St Format	*	Example	Remarks
4279	Payment terms type code qualifier	R an..3	*	+22	1 = Basic 22 = Discount
C110	Payment terms	N			
4277	Payment terms description identifier	N an..17		+	
C112	Terms/time information	R			
2475	Time reference code	R an..3	*	+8	8 = Date of confirmation of order received 21 = Date goods received by buyer
2009	Terms time relation code	C an..3	*	:3	3 = After reference
2151	Period type code	C an..3	*	:D	D = Day
2152	Period count quantity	R n..3		:30'	

Description:

This segment is used by the issuer of the order to request special payment terms for the current order only.

This example indicates discount payment terms with payment due 30 days after the reference date which in this case is the date of confirmation of order received.

Example:

PAT+22++8:3:D:30'

This example indicates discount payment terms with payment due 10 days after the reference date which in this case is the date goods received by buyer.

PAT+22++21:3:D:10'

ORDERS 4.7.0

Segments Layout

Group	SG10	Status:C	Max. occ.: 10	TDT
Segment	TDT	No.: 21 Status:R	Level: 1 Max. occ.: 1	Details of transport

Description Details of transport

Description of Segment:

	Description	St Format	*	Example	Remarks
8051	Transport stage code qualifier	R an..3	*	+20	20 = Main-carriage transport
8028	Means of transport journey identifier	N an..17		+	
C220	Mode of transport	R			
8067	Transport mode name code	R an..3	*	+10	10 = Maritime transport 20 = Rail transport 30 = Road transport 40 = Air transport 50 = Mail 60 = Multimodal transport 100 = Courier service (GS1 Code)
C228	Transport means	C			
8179	Transport means description code	D an..8		+23	Code list 8179 is not restricted D:Data Element 8179 is only used when the type of transport must be specifically identified, that is, a generic description such as road transport is unsuitable.
C040	Carrier	C			
3127	Carrier identifier	R an..17		+761234 5880006	GLN - Format n13 GLN of carrier/forwarding agency
1131	Code list identification code	N an..17		:	
3055	Code list responsible agency code	R an..3	*	:9	9 = GS1
3128	Carrier name	C an..35		: Transpo rt AG'	

Description:

This segment is used to specify transport instructions for the whole Purchase Order, such as requesting an express transport service.

Data Elements 8179 and 8178 are only used when the type of transport must be specifically identified, that is, a generic description such as road transport is unsuitable.

Example:

TDT+20++10+23'

ORDERS 4.7.0

Segments Layout

Group	SG12	Status:C	Max. occ.: 5	TOD-LOC
Segment	TOD	No.: 22 Status:R	Level: 1 Max. occ.: 1	Terms of delivery or transport

Description Terms of delivery or transport

Description of Segment:

	Description	St Format	*	Example	Remarks
4055	Delivery or transport terms function code	R an..3	*	+6	6 = Delivery condition
4215	Transport charges payment method code	N an..3		+	
C100	Terms of delivery or transport	R			
4053	Delivery or transport terms description code	R an..3		+CIF	INCOTERMS (See EANCOM Codes Set)
1131	Code list identification code	C an..17	*	:2E	106 = Incoterms 1980 1E = Incoterms 1990 (GS1 Code) 2E = Incoterms 2000 (GS1 Code) Version der Incoterms muss angegeben werden
3055	Code list responsible agency code	D an..3	*	:9'	9 = GS1 D:Code value 9 requested for GS1 codes (1E, 2E)

Description:

This segment is used to specify the terms of delivery for the complete order.

Example:

TOD+6++CIF:2E:9'

ORDERS 4.7.0

Segments Layout

Group	SG12	Status:C	Max. occ.: 5	TOD-LOC
Segment	LOC	No.: 23 Status:C	Level: 2 Max. occ.: 2	Place/location identification

Description Place/location identification

Description of Segment:

	Description	St Format	*	Example	Remarks
3227	Location function code qualifier	R an..3	*	+1	1 = Place of terms of delivery
C517	Location identification	R			
3225	Location name code	C an..25		+BSL	IATA oder UN/LOCODE
1131	Code list identification code	N an..17		:	
3055	Code list responsible agency code	D an..3	*	:3	3 = IATA (International Air Transport Association) D:DE 3055 must be used if DE 3225 is used and does not contain an UN/LOCODE.
3224	Location name	C an..25		: Gempen '	

Description:

This segment is used if the terms of delivery specified in the TOD segment requires the identification specifically of the place of delivery.

Example:

LOC+1+BSL::3'
 LOC+1+CHBSL'
 LOC+1+:::Gempen'

ORDERS 4.7.0

Segments Layout

Group **SG28** Status:R Max. occ.: 200000 LIN-PIA-IMD-MEA-QTY-GIN-FTX-SG32-SG33-SG34

Segment **LIN** No.: 24 Level: 1 Line item
Status:R Max. occ.: 1

Description Line item

Description of Segment:

	Description	St Format	*	Example	Remarks
1082	Line item identifier	R an..6		+1	Application generated number of the count of the order lines.
1229	Action request/notification description code	N an..3		+	
C212	Item number identification	D			
7140	Item identifier	R an..35		+7612345000206	<p>Format n..14 GTIN - this is the number of the article being ordered. Principle: Ordering is done by GTIN of trading unit. Ordering by consumer unit is not permitted. Definition: Consumer unit = GTIN is scanned on POS. Trading unit: GTIN is NOT scanned on POS. Therefore transmission of GTIN-8 is not allowed. Trading units never are marked with GTIN-8!</p> <p>GTIN-13 (transmission without leading zeroes, storage 14 digits with leading zeroes.) Transmission: 7612345673004 Storage: 07612345673004</p> <p>GTIN-14 is used to display variable goods. See brochure of GS1 Switzerland: "Leitfaden Supply Chain Management für gewichtvariable Einheiten" LIN+1++97612345673007:SRV'</p> <p>ITF-14 (DUN-14) : The use of this kind of marking is not recommended in Switzerland. Nevertheless the receiver of message must be able to handle it. LIN+1++17612345673001:SRV'</p> <p>UPC-A: UPC are 12-digits codes. Therefore 12 digits are transmitted - even if the first digit(s) is/are a zero(es).</p>

ORDERS 4.7.0

Segments Layout

	Description	St Format	*	Example	Remarks
7143	Item type identification code	R an..3	*	:SRV	Transmission: 001234567895 Storage: 00001234567895 SRV = GS1 Global Trade Item Number
C829	Sub-line information	D			
5495	Sub-line indicator code	R an..3	*	+1	1 = Sub-line information
1082	Line item identifier	R an..6		:1'	

Description:

This segment is used to identify the item being ordered.
C829 is only used when sub-lines are required.

Example:

LIN+1+++7612345000206:SRV'

ORDERS 4.7.0

Segments Layout

Group **SG28** Status:R Max. occ.: 200000 LIN-PIA-IMD-MEA-QTY-GIN-FTX-SG32-SG33-SG34

Segment **PIA** No.: 25 Level: 2 Additional product id
Status:C Max. occ.: 25

Description Additional product id

Description of Segment:

	Description	St Format	*	Example	Remarks
4347	Product identifier code qualifier	R an..3	*	+1	<p>1 = Additional identification</p> <p>2 = Identification for potential substitution</p> <p>5 = Product identification</p> <p>Product Id function coded has the following restricted coded functions:</p> <p>1 - Additional Identification - To provide an additional identity for the product identified in the LIN segment. The additional identification can consist of :</p> <p>A supplemental identification which provides more information complementary to the main trade item number provided in the LIN segment, e.g., a batch number, promotional variant number, product group number, etc.</p> <p>An alternative identification which may be used where no main trade item number has been provided in the LIN segment, e.g., a buyers article number, an HIBC code, etc.</p> <p>2 - Identification for substitution - To provide the trade item number of a product which can substitute the product identified by the trade item number provided in the LIN segment when the latter is temporarily unavailable, e.g., a similar or identical product coded with a different GTIN (article coded in a different country), a different size unit of the same product, a similar product with for example a different brand name.</p> <p>5 - Product Identification - To provide the primary product identification code when no GTIN has been provided in the LIN segment. GTIN should not be used in conjunction with this code value. It should be noted that when this code is used the product code specified here is the code which should be used for invoicing purposes.</p>

ORDERS 4.7.0

Segments Layout

	Description	St Format	*	Example	Remarks
C212	Item number identification	R			
7140	Item identifier	R an..35		+ABC12 34	
7143	Item type identification code	R an..3	*	:IN	GB = Buyer's internal product group code IN = Buyer's item number SA = Supplier's article number SRV = GS1 Global Trade Item Number SUE = GS1 Global Returnable Asset Identifier, non serialised
1131	Code list identification code	C an..17		:	
3055	Code list responsible agency code	C an..3	*	:9'	9 = GS1 91 = Assigned by supplier or supplier's agent 92 = Assigned by buyer or buyer's agent

Description:

This segment is used to specify additional or substitutional item identification codes such as a buyer's, or seller's item number.

VMI-process: Buyer is not allowed to demand for his own specific details about the product.

Example:

PIA+1+17:GB::92'

In this example the PIA segment is used to provide the buyers internal product group code. This product group code is from the buyers internal codelist.

PIA+1+5412345123095:SRV'

In this example the GTIN of the consumer unit is provided.

PIA+2+4000862141664:SRV'

In this example the PIA segment is used to provide an GTIN identification for substitution. The product identified in the LIN segment by the GTIN 7612345000206 can be substituted by the product identified in the PIA segment by the GTIN 4000862141664 in case the former is not available.

PIA+5+7450034:SA'

In this example the PIA segment is used to provide the supplier's article number.

ORDERS 4.7.0

Segments Layout

Group **SG28** Status:R Max. occ.: 200000 LIN-PIA-IMD-MEA-QTY-GIN-FTX-SG32-SG33-SG34

Segment **IMD** No.: 26 Level: 2 Item description
Status:C Max. occ.: 99

Description Item description

Description of Segment:

	Description	St Format	*	Example	Remarks
7077	Description format code	C an..3	*	+C	C = Code (from industry code list) F = Free-form
C272	Item characteristic	N			
7081	Item characteristic code	N an..3		+	
C273	Item description	R			
7009	Item description code	C an..17	*	+CU	CU = Consumer unit (GS1 Code) TU = Traded unit (GS1 Code) Details about pricing not allowed here. These are to be transmitted within the PRI segment.
1131	Code list identification code	N an..17		:	
3055	Code list responsible agency code	C an..3	*	:9	9 = GS1
7008	Item description	C an..25		:CORN CRISPIE S	
7008	Item description	C an..25		:CASE'	

Description:

This segment is used to describe the current line item.

It is recommended that this segment only be used for coded descriptions. Data element 7008 in clear text should only be used when no product code is available or when free-form descriptions are required by trading partners.

If you wish to indicate that promotional details are marked on the package, then this should be indicated in DE 7233 in the PAC segment.

Example:

IMD+C++TU::9'

IMD+F++:::CORN CRISPIES:CASE'

ORDERS 4.7.0

Segments Layout

Group **SG28** Status:R Max. occ.: 200000 LIN-PIA-IMD-MEA-QTY-GIN-FTX-SG32-SG33-SG34

Segment **MEA** No.: 27 Level: 2 Measurements
Status:C Max. occ.: 99

Description Measurements

Description of Segment:

	Description	St Format	*	Example	Remarks
6311	Measurement purpose code qualifier	R an..3	*	+PD	PD = Physical dimensions (product ordered)
C502	Measurement details	R			
6313	Measured attribute code	R an..3	*	+LN	DI = Diameter HT = Height dimension LN = Length dimension WD = Width dimensions
C174	Value/range	R			
6411	Measurement unit code	R an..3	*	+MTR	MTR = metre
6314	Measurement value	C an..18		:0.25'	

Description:

This segment is used to specify the actual physical dimensions of the product being ordered where that product is sold in variable lengths or volumes.

This segment must be used in conjunction with the LIN segment for the precise identification of the ordered product.

The precise length of the product identified by the GTIN 7612345000206 is 0.25 metres.

This segment is used for ordering of customer-related goods (e.g. furniture)

Example:

MEA+PD+LN+MTR:0.25'

ORDERS 4.7.0

Segments Layout

Group **SG28** Status:R Max. occ.: 200000 LIN-PIA-IMD-MEA-QTY-GIN-FTX-SG32-SG33-SG34

Segment **QTY** No.: 28 Level: 2 **Quantity**
Status:C Max. occ.: 99

Description Quantity

Description of Segment:

	Description	St Format	*	Example	Remarks
C186	Quantity details	R			
6063	Quantity type code qualifier	R an..3	*	+21	21 = Ordered quantity 59 = Number of consumer units in the traded unit
6060	Quantity	R an..35		:48	
6411	Measurement unit code	D an..3	*	:KGM'	KGM = kilogram LTR = litre MTR = metre D:This DE is only used if the product being identified is of variable quantity.

Description:

This segment is used to specify the total quantity ordered for the current line identified in the LIN segment. DE 6063: Code value '59' is only to be used in the orders message for confirmation purposes and not to change any information previously agreed and contained in a price or product catalogue.

Example:

QTY+21:48:KGM'

ORDERS 4.7.0

Segments Layout

Group **SG28** Status:R Max. occ.: 200000 LIN-PIA-IMD-MEA-QTY-GIN-FTX-SG32-SG33-SG34

Segment **GIN** No.: 29 Level: 2 Goods identity number
Status:D Max. occ.: 1000

Description Goods identity number

Description of Segment:

	Description	St Format	*	Example	Remarks
7405	Object identification code qualifier	M an..3	*	+BX	BX = Batch number
C208	Identity number range	M			
7402	Object identifier	M an..35		+123abcd890'	

Description:

This segment is used to indicate printed numbers or the range of numbers to be printed on coupons or gift cheques.

D: This segment may be used to send the batchnumber. The use of this segment must be bilaterally agreed between buyer/seller.

Example:

GIN+BX+123abcd890'

ORDERS 4.7.0

Segments Layout

Group **SG28** Status:R Max. occ.: 200000 LIN-PIA-IMD-MEA-QTY-GIN-FTX-SG32-SG33-SG34

Segment **FTX** No.: 30 Level: 2 Free text
Status:C Max. occ.: 99

Description Free text

Description of Segment:

	Description	St Format	*	Example	Remarks
4451	Text subject code qualifier	R an..3	*	+ADK	ACB = Additional information ACD = Reason ADK = Promotion information PUR = Purchasing information
4453	Free text function code	N an..3		+	
C107	Text reference	N			
4441	Free text value code	N an..17		+	
C108	Text literal	R			
4440	Free text value	R an..51		+Special promotion	
4440	Free text value	C an..51		:	
4440	Free text value	C an..51		:	
4440	Free text value	C an..51		:	
4440	Free text value	C an..51		:'	

Description:

This segment is used to specify any special requirements for the current line item.

Use of this segment in free form is not recommended since it may inhibit automatic processing of the Order. Coded references to standard texts is an available functionality which enables automatic processing and reduces transmission and processing overheads. Standard texts should be mutually defined among trading partners and can be used to cover legal and other requirements.

Example:

FTX+ADK+++Special promotion'

ORDERS 4.7.0

Segments Layout

Group	SG28	Status:R	Max. occ.: 200000	LIN-PIA-IMD-MEA-QTY-GIN-FTX-SG32-SG33-SG34
Group	SG32	Status:C	Max. occ.: 25	PRI-CUX
Segment	PRI	No.: 31 Status:R	Level: 2 Max. occ.: 1	Price details

Description Price details

Description of Segment:

	Description	St Format	*	Example	Remarks
C509	Price information	R			
5125	Price code qualifier	R an..3	*	+AAA	AAA = Calculation net AAE = Information price, excluding allowances or charges, including taxes AAF = Information price, excluding allowances or charges and taxes INF = Information
5118	Price amount	R n..15		:14.58	
5375	Price type code	N an..3		:	
5387	Price specification code	C an..3	*	:INV	DPR = Discount price DR = Dealer price INV = Invoice price LBL = Labelling price PRP = Promotional price RTP = Retail price
5284	Unit price basis value	D n..9		:1	D:This DE is only used if the product being identified is of variable quantity.
6411	Measurement unit code	D an..3		:KGM'	KGM = kilogram LTR = Litre MTR = metre D:This DE is only used if the product being identified is of variable quantity.

Description:

This segment is used to detail the price for the current product identified in the LIN segment.

The calculation price detailed in the Purchase Order will always be the Net Unit Price, i.e., Gross Price + Charges - Allowances.

Data elements 5284 and 6411 are used when a product is a variable quantity product, e.g. price per 200 kilos, or when the unit of measure for purchasing, delivery, and invoicing are different for a product, e.g. sugar is not a variable quantity product but ordered and delivered in packs, and invoiced in kilos or tonnes.

Example:

PRI+AAA:14.58::RTP' (net unit price)

ORDERS 4.7.0

Segments Layout

PRI+AAE:25::RTP' (retail price)
PRI+AAE:17.50::LBL' (label price)

ORDERS 4.7.0

Segments Layout

Group	SG28	Status:R	Max. occ.: 200000	LIN-PIA-IMD-MEA-QTY-GIN-FTX-SG32-SG33-SG34
Group	SG32	Status:C	Max. occ.: 25	PRI-CUX
Segment	CUX	No.: 32 Status:C	Level: 3 Max. occ.: 1	Currencies

Description Currencies

Description of Segment:

	Description	St Format	*	Example	Remarks
C504	Currency details	R			
6347	Currency usage code qualifier	R an..3	*	+2	2 = Reference currency
6345	Currency identification code	R an..3		:CHF	ISO 4217 three alpha
6343	Currency type code qualifier	R an..3	*	:4'	4 = Invoicing currency 9 = Order currency

Description:

This segment is used to specify currency data related to the previous PRI segment.

Example:

CUX+2:CHF:9'

ORDERS 4.7.0

Segments Layout

<i>Group</i>	SG28	Status:R	Max. occ.: 200000	LIN-PIA-IMD-MEA-QTY-GIN-FTX-SG32-SG33-SG34
<i>Group</i>	SG33	Status:C	Max. occ.: 9999	RFF-DTM
<i>Segment</i>	RFF	No.: 33 Status:M	Level: 2 Max. occ.: 1	Reference

Description Reference

Description of Segment:

	Description	St Format	*	Example	Remarks
C506	Reference	R			
1153	Reference code qualifier	R an..3	*	+PD	CR = Customer reference number CT = Contract number PD = Promotion deal number UC = Ultimate customer's reference number
1154	Reference identifier	R an..70		: 9478004 3	
1156	Document line identifier	C an..6		:1'	

Description:

This segment is used to identify references associated with the line item. This information may override what is specified in the heading section when the same qualifier is used. This segment may also be used to allocate a unique reference number to this line item in this order.

Example:

RFF+PD:94780043'

ORDERS 4.7.0

Segments Layout

Group	SG28	Status:R	Max. occ.: 200000	LIN-PIA-IMD-MEA-QTY-GIN-FTX-SG32-SG33-SG34
Group	SG33	Status:C	Max. occ.: 9999	RFF-DTM
Segment	DTM	No.: 34 Status:D	Level: 3 Max. occ.: 5	Date/time/period

Description Date/time/period

Description of Segment:

	Description	St Format	*	Example	Remarks
C507	Date/time/period	R			
2005	Date or time or period function code qualifier	R an..3	*	+194	194 = Start date/time 206 = End date/time
2380	Date or time or period value	R an..35		: 2005030 1000000	
2379	Date or time or period format code	R an..3	*	:204'	204 = CCYYMMDDHHMMSS

Description:

This segment is used to specify dates and times associated with the preceding RFF segment.
D:This segment may only be used to state start/end date of promotion.

Example:

DTM+194:20050301000000:204'

Promotion 94780043 takes from 1st March 2008 to 31st of March:

RFF+PD:94780043:1'

DTM+194:20080301000000:204'

DTM+206:20080331000000:204'

ORDERS 4.7.0

Segments Layout

Group **SG28** Status:R Max. occ.: 200000 LIN-PIA-IMD-MEA-QTY-GIN-FTX-SG32-SG33-SG34

Group **SG34** Status:C Max. occ.: 99 PAC-SG36

Segment **PAC** No.: 35 Level: 2 Package
Status:M Max. occ.: 1

Description Package

Description of Segment:

	Description	St Format	*	Example	Remarks
7224	Package quantity	C n..8		+10'	

Description:

Example:

PAC+10'

ORDERS 4.7.0

Segments Layout

Group	SG28	Status:R	Max. occ.: 200000	LIN-PIA-IMD-MEA-QTY-GIN-FTX-SG32-SG33-SG34
Group	SG34	Status:C	Max. occ.: 99	PAC-SG36
Group	SG36	Status:C	Max. occ.: 5	PCI-GIN
Segment	PCI	No.: 36 Status:M	Level: 3 Max. occ.: 1	Package identification

Description Package identification

Description of Segment:

	Description	St Format	*	Example	Remarks
4233	Marking instructions code	C an..3	*	+41G'	41G = Marked with GS1 Global Returnable Asset Identifier (GS1 Code)

Description:

Example:
PCI+41G

ORDERS 4.7.0

Segments Layout

Group	SG28	Status:R	Max. occ.: 200000	LIN-PIA-IMD-MEA-QTY-GIN-FTX-SG32-SG33-SG34
Group	SG34	Status:C	Max. occ.: 99	PAC-SG36
Group	SG36	Status:C	Max. occ.: 5	PCI-GIN
Segment	GIN	No.: 37 Status:C	Level: 4 Max. occ.: 10	Goods identity number

Description Goods identity number

Description of Segment:

	Description	St Format	*	Example	Remarks
7405	Object identification code qualifier	M an..3	*	+DA	DA = GS1 Global Returnable Asset Identifier, without serial number
C208	Identity number range	M			
7402	Object identifier	M an..35		+761063 2984734 '	

Description:

Example:

GIN+DA+7610632984734'

ORDERS 4.7.0

Segments Layout

Segment **CNT** No.: 39 Level: 1 Control total
 Status: C Max. occ.: 10

Description Control total

Description of Segment:

	Description	St Format	*	Example	Remarks
C270	Control	R			
6069	Control total type code qualifier	R an..3	*	+2	2 = Number of line items in message
6066	Control total value	R n..18		:4'	

Description:

This segment is used to provide message control totals.
 There are four LIN segments in the current message.

Example:

CNT+2:4'

ORDERS 4.7.0

Segments Layout

Segment **UNT** No.: 40 Level: 0 Message trailer
 Status: M Max. occ.: 1

Description Message trailer

Description of Segment:

	Description	St Format	*	Example	Remarks
0074	Number of segments in a message	R n..10		+39	The total number of segments in the message is detailed here. All segments from UNH including UNT are counted.
0062	Message reference number	R an..14		+1'	The message reference number detailed here should equal the one specified in the UNH segment.

Description:

This segment is a mandatory UN/EDIFACT segment. It must always be the last segment in the message.

Example:

UNT+29+124566'

ORDERS 4.7.0

Example

Message included mandatory information only:

```
UNH+1+ORDERS:D:01B:UN:EAN010'  
BGM+220+120001+9'  
DTM+137:20061205000000:204'  
RFF+ON:652744'  
NAD+BY+7612345000015::9'  
NAD+SU+7612346000014::9'  
LIN+1++7612346000107:SRV'  
QTY+21:12'  
UNS+S'  
CNT+2:1'  
UNT+11+1'
```


ORDERS 4.7.0

List of changes

No.	Description	Segments and elements			
01	19.01.2009: Publication version 4.0.1	1	UNH		
02	15.05.2009: several minor changes	40	UNT		0074
03	06.08.2009: Example inserted (CR 09-001) - Publication 4.0.3	25	PIA		
			SG28#1		
04	15.07.2010: Code 23E added - Publication 4.1.0	2	BGM	C002	1001
05	15.07.2013: CR 12-001-Code 26E added	2	BGM	C002	1001
06	15.07.2013: CR 12-001-Description "Consignment process added"	1	UNH		
07	15.07.2013: CR 12-002-Qualifier SUE added (European RTI Guide)	25	PIA	C212	7143
			SG28#1		
08	15.07.2013: CR 12-002-PAC Segment added (European RTI Guide)	35	PAC		
			SG28#1\SG34#1		
09	15.07.2013: CR 12-002-PCI Segment added (European RTI Guide)	36	PCI		
			SG28#1\SG34#1\SG36#1		
10	15.07.2013: CR 12-002-GIN Segment added (European RTI Guide)	37	GIN		
			SG28#1\SG34#1\SG36#1		
11	15.07.2013: Publication 4.2.0	1	UNH		
12	18.02.2016/4.4.0: DOC segment added - (CR 15-005)	11	DOC		
			SG2#1\SG4#1		
13	18.02.2016/4.4.0: Publication 4.4.0	1	UNH		
14	18.03.2016/4.5.0: Qualifier CR added - (CR 15-008)	12	CTA		3139
			SG2#1\SG5#1		
15	18.03.2016/4.5.0: Publication 4.5.0	1	UNH		
16	01.11.2016/4.6.0: Qualifiers LSP + WH added (WR 16-004)	8	NAD		3035
			SG2#1		
17	01.11.2016/4.6.0: Publication 4.6.0	1	UNH		
18	15.03.2018/4.7.0: Qualifiers PW added (WR-17-004)	8	NAD		3035
			SG2#1		
19	15.03.2018/4.7.0: Publication 4.7.0	1	UNH		

**GS1 Schweiz ist
der Fachverband
für nachhaltige
Wertschöpfungs-
netzwerke.**

GS1 Switzerland
Länggassstrasse 21
CH-3012 Bern
T +41 58 800 70 00
M info@gs1.ch
www.gs1.ch



Kompetenzplattform Ganzheitlich denken - Ressourcen schonen



Kompetenzvermittlung Wissen vermitteln - Kompetenz steigern



Kollaboration Zusammenarbeit fördern - Wertschöpfung verbessern



Standards Standards nutzen - Effizienz erhöhen



Nachhaltigkeit Ganzheitlich denken - Ressourcen schonen