

GS1 System
Ideal-Message INVOIC 4.5.0
incl. bilateral agreements
06.07.2017

Based on EANCOM ® 2002

Documentation conventions

Format and pictures

as described in column "Format" of segment details

Character type:

a :alphabetic characters
n :numeric characters
an :alpha-numeric characters

Size:

Fixed : all positions must be used
Variable : positions may be used up to a specified maximum

Examples:

as described in column "St" of segment details

Status indicators

as described in column "St" of segment details

(R)quired

Indicates that the entity is required and must be sent. (This status is set by EANCOM®.)

(C)onditional

Indicates that the entity is conditional and may be sent at the discretion of the user.

(D)ependent

Indicates that the entity must be sent in certain conditions, as defined by the relevant explanatory note.

(N)ot used

Indicates that the entity is not used.

Restriction indicators

as described in column "R" of segment details

Restricted (*)

A data element marked with an asterisk (*) in the fourth column of the segment details of a message indicates that the listed codes in column five are the only codes available for use with the data element at the same level as the asterisk, in the current segment, in the current message.

Open

All data elements in which coded representation of data is possible, and in which a restricted set of code values is not indicated, are open. The available codes are listed in the Data Elements and Code Sets Directory (Part III of this manual). Code values may be given as examples or there may be a note on the format or type of code to be used.

INVOIC 4.5.0 incl. bilateral agreements

Message description

Flow of information:

1 ORDERS = 1:n DESDAV / 1 DESADV = 1 INVOIC

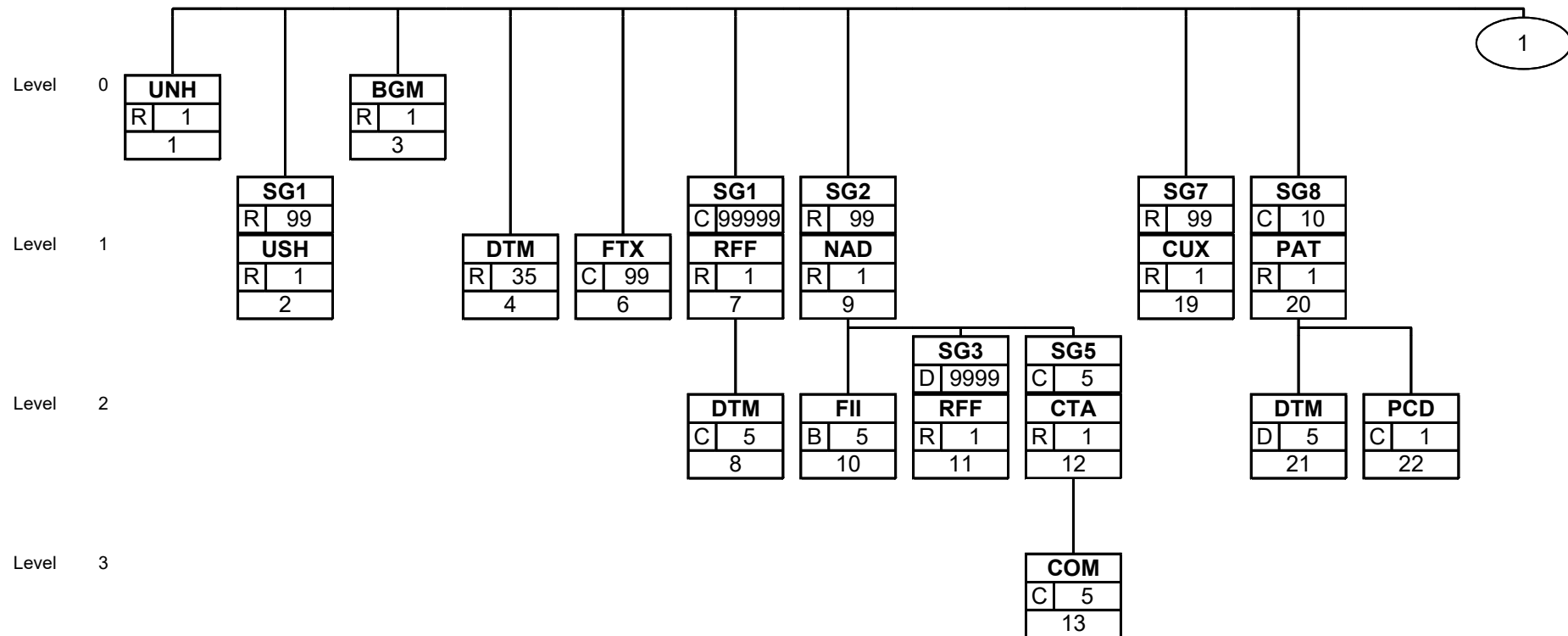
These cases have been worked out by “AGR Geschäftsfälle INVOIC” in 2012.

Segment/ Data element	Qualifier	Description	Charging Buyer			Crediting Buyer		
			Invoice	Adjustment charge	Debit note (financial adjustment)	Credit note (financial adjustment)	Credit note	Return shipments
BGM	380	Commercial invoice	380					
	381	Credit note - goods and services					381	381
	383	Debit note - goods and services		383				
	83	Credit note related to financial adjustments *				83		
	84	Debit note related to financial adjustmentst *			84			
RFF	AAK	Despatch advice number	One out of the qualifiers AAK or DQ is mandatory	One out of the qualifiers AAK or DQ is mandatory	One out of the qualifiers AAK or DQ is mandatory	One out of the qualifiers AAK or DQ is mandatory	One out of the qualifiers AAK or DQ is mandatory	None of the qualifiers AAK or DQ may be sent!
	DQ	Delivery note number						
	ON	Order number (buyer)	Order-Number Buyer	Order-Number Buyer	Order-Number Buyer	Order-Number Buyer	Order-Number Buyer	Return Order-Number Buyer
	VN	Order number (supplier)	yes, if here is no ON (VMI)					
LIN:QTY	47	Invoiced quantity	M	M	C	C	M	M
LIN:PRI	AAA,NTP	Netto price	M	M	C	C	M	M

INVOIC 4.5.0

incl. bilateral agreements

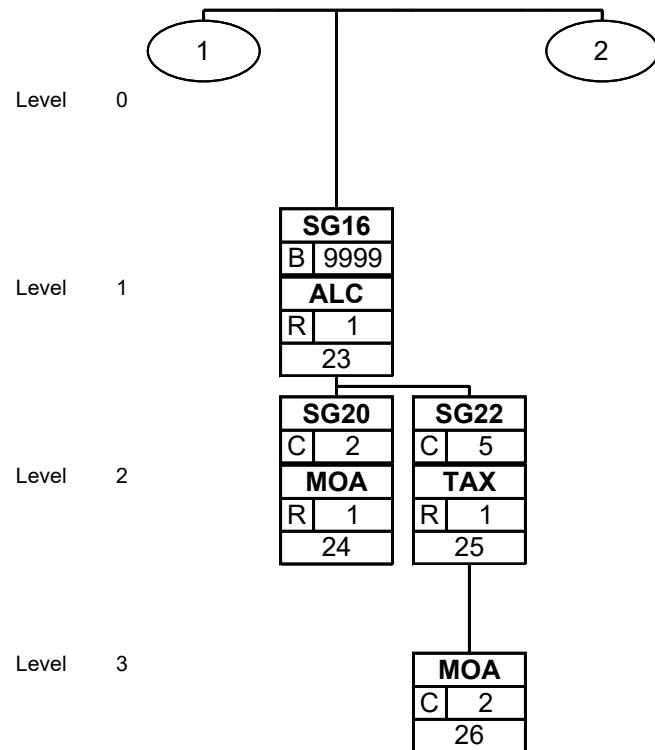
Branching diagram



INVOIC 4.5.0

incl. bilateral agreements

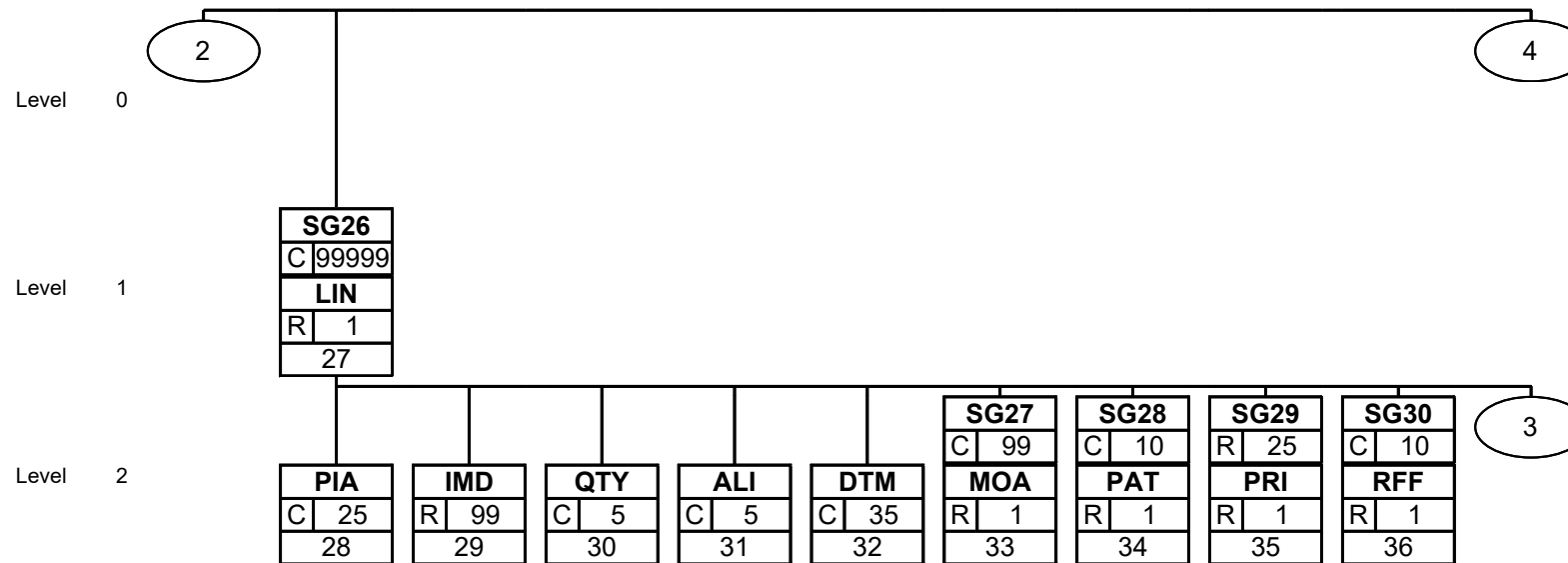
Branching diagram



INVOIC 4.5.0

incl. bilateral agreements

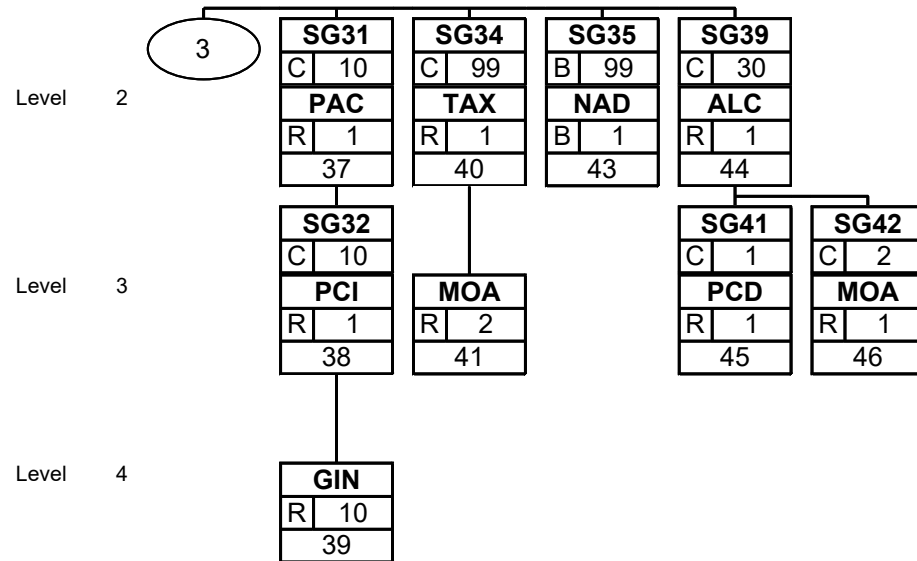
Branching diagram



INVOIC 4.5.0

incl. bilateral agreements

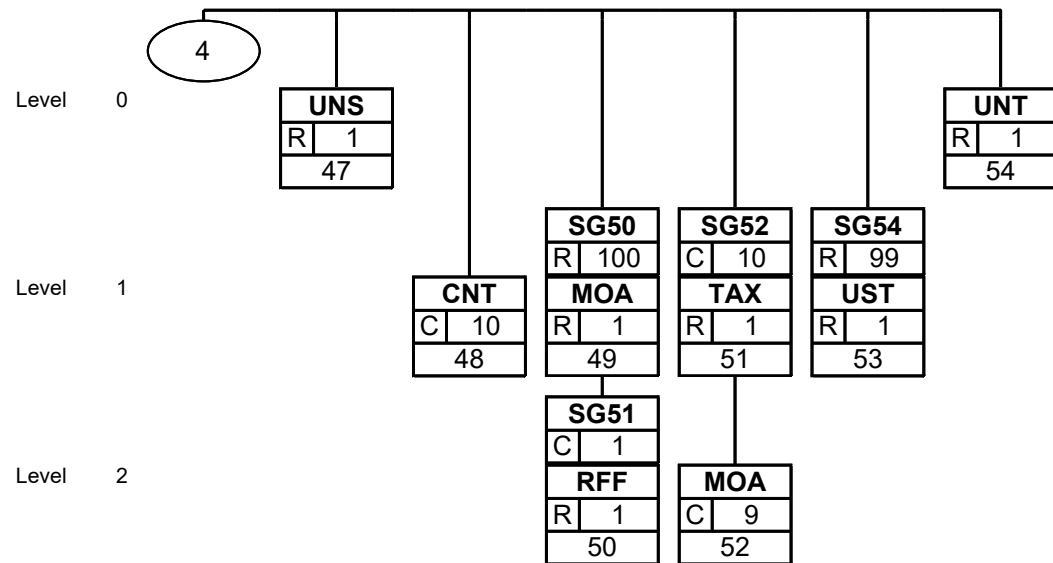
Branching diagram



INVOIC 4.5.0

incl. bilateral agreements

Branching diagram



INVOIC 4.5.0

Segments Layout

Segment **UNH** No.: 1 Level: 0 **Message header**
 Status: R Max. occ.: 1

Description Message header

Description of Segment:

	Description	St Format	*	Example	Remarks
0062	Message reference number	R an..14		+1	
S009	Message identifier	R			
0065	Message type	R an..6	*	+INVOIC	INVOIC = Invoice message
0052	Message version number	R an..3	*	:D	D = Draft version/UN/EDIFACT Directory
0054	Message release number	R an..3	*	:01B	01B = Release 2001 - B
0051	Controlling agency, coded	R an..3	*	:UN	UN = UN/CEFACT
0057	Association assigned code	R an..6	*	:EAN010'	EAN010 = EAN version control number (EAN Code)

Description:

Example:

UNH+1+INVOIC:D:01B:UN:EAN010'

INVOIC 4.5.0

Segments Layout

Group	G1; 01; C	Status:R	Max. occ.: 99	USH
Segment	USH	No.: 2 Status:R	Level: 1 Max. occ.: 1	Security header

Description Security header

Description of Segment:

Description:

The security element

SG1 USH

SG1 USA

SG1/SG2 USC

SG1/SG2 USA

SG54 UST

SG54 USR

are described in a separate document

Example:

INVOIC 4.5.0

Segments Layout

Segment **BGM** No.: 3 Level: 0 Beginning of message
 Status: R Max. occ.: 1

Description Beginning of message

Description of Segment:

	Description	St Format	*	Example	Remarks
C002	Document/message name	R			
1001	Document name code	R an..3	*	+380	380 = Commercial invoice 381 = Credit note - goods and services 383 = Debit note - goods and services 83 = Credit note related to financial adjustments * 84 = Debit note related to financial adjustments * 262 = Consolidated credit note - goods and services ** 385 = Consolidated invoice ** MGB: 380 Invoice / 381 Credit note / 383 adjustment charge Principle: Always separate Credit Note and Invoice! * Codes 83 and 84 are for credited / debited value and may only be used if agreed bilaterally between the partners! ** Codes 262 and 385 are for consolidated invoices (restricted on one day) and may only be used if agreed between the partners!
C106	Document/message identification	R			
1004	Document identifier	R an..35		+432097	Invoice number (unique) Uniqueness refers to the buyer / seller
1225	Message function code	R an..3	*	+9	1 = Cancellation * 9 = Original 55 = Notification only ** * Cancellation is always related to a previously created message with appropriate number ** Code 55 is needed to prevent the transfer of the invoice to the final recipient (after manuell reduction of the invoiced amount). This code was added in 2008 to the EANCOM.
4343	Response type code	C an..3	*	+AC'	AC = Acknowledge - with detail and change If the field is blank, no confirmation

Description:

INVOIC 4.5.0

Segments Layout

The relation of the messages is always: 1 ORDERS = 1:n DESADV / 1 DESADV = 1 INVOIC

Example:

BGM+380+432097+9'

INVOIC 4.5.0

Segments Layout

Segment **DTM** No.: 4 Level: 1 Date/time/period
 Status: R Max. occ.: 35

Description Date/time/period

Description of Segment:

	Description	St Format	*	Example	Remarks
C507	Date/time/period	R			
2005	Date or time or period function code qualifier	R an..3	*	+137	35 = Delivery date/time, actual 137 = Document/message date/time 263 = Invoicing period 454 = Invoicing date, application-related view Invoicing date, EDI environment / assigned by the ERP system (coded) Date of delivery and fulfilment of the service provision has to be declared at this place if it's valid for the whole invoice. If you have different dates between delivery and fulfilment of service provision, you have to specify them on item level. If there is no date for the service provision (Code 35), then the invoicing date (Code 454) will be the service provision date as well. At least 2 DTMs, code value 137 and 454 have to be transmitted
2380	Date or time or period value	R an..35		: 2006011 0101500	
2379	Date or time or period format code	R an..3	*	:204'	204 = CCYYMMDDHHMMSS 718 = CCYYMMDD-CCYYMMDD 718 associated with code 263 (fiscal period)

Description:

Example:

Example 1:

DTM+137:20100801082400:204'

Invoicing 1.8.2010 at 08:24. Invoice date 1.8.2010

Example 2:

DTM+137:20110101082400:204'

DTM+454:20101231000000:204'

Invoicing 1.1.2011 at 08:24. Invoice date 31.12.2010

Example 3:

DTM+137:20110111082400:204'

DTM+454:20110108000000:204'

DTM+35:20101212000000:204'

Invoicing 10.1.2011 at 08.24. Invoice date 8.1.2011. Service provision 12.12.2010.

INVOIC 4.5.0

Segments Layout

Segment **FTX** No.: 6 Level: 1 Free text
 Status: C Max. occ.: 99

Description Free text

Description of Segment:

	Description	St Format	*	Example	Remarks
4451	Text subject code qualifier	R an..3	*	+ZZZ	ZZZ = Mutually defined
4453	Free text function code	C an..3	*	+1	1 = Text for subsequent use
C107	Text reference	C			
4441	Free text value code	R an..17		+	
C108	Text literal	C			
4440	Free text value	R an..51		+Gutsch riff wegen verspäte ter Lieferun g	If the value 'ZZZ' is sent within the data element 4451, then a corresponding data content has to be stated here (e.g. reason for the credit note)
4440	Free text value	C an..51		:X'	

Description:

In case of a credit note, the reason for the credit note should be stated here

Example:

FTX+ZZZ+1++Credit note due to late delivery'

INVOIC 4.5.0

Segments Layout

Group **SG1** Status:C Max. occ.: 99999 RFF-DTM

Segment **RFF** No.: 7 Level: 1 Reference
 Status:R Max. occ.: 1

Description Reference

Description of Segment:

	Description	St Format	*	Example	Remarks
C506	Reference	R			
1153	Reference code qualifier	R an..3	*	+ON	AAK = Despatch advice number ACE = Related document number ALO = Receiving advice number ALQ = Returns notice number DQ = Delivery note number IV = Invoice number ON = Order number (buyer) VN = Order number (supplier) One out of the 4 qualifiers AAK, DQ, ON or VN is mandatory. It's recommended to fill and send all of them, if content is available.
1154	Reference identifier	R an..70		: 2554125 '	Reference for credit note (original invoice)

Description:

at reversal debit: Reference to the provenance or description

Example:

RFF+ON:2554125'

INVOIC 4.5.0

Segments Layout

Group **SG1** Status:C Max. occ.: 99999 RFF-DTM

Segment **DTM** No.: 8 Level: 2 Date/time/period
Status:C Max. occ.: 5

Description Date/time/period

Description of Segment:

	Description	St Format	*	Example	Remarks
C507	Date/time/period	R			
2005	Date or time or period function code qualifier	R an..3	*	+171	171 = Reference date/time
2380	Date or time or period value	R an..35		: 2005061 8100000	
2379	Date or time or period format code	R an..3		:204'	204 = CCYYMMDDHHMMSS

Description:

To clearly identify a document the document date is needed (qualifiers AAK, ON and VN).

Example:

DTM+171:20050618100000:204'

INVOIC 4.5.0

Segments Layout

Group	SG2	Status:R	Max. occ.: 99	NAD-FII-SG3-SG5
Segment	NAD	No.: 9 Status:R	Level: 1 Max. occ.: 1	Name and address

Description Name and address

Description of Segment:

	Description	St Format	*	Example	Remarks
3035	Party function code qualifier	R an..3	*	+BY	BY = Buyer DP = Delivery party II = Issuer of invoice IV = Invoicee PE = Payee SU = Supplier UC = Ultimate consignee (Endempfänger) GLN Format n13 Definition of tags in terms of VAT: BY = recipient of benefit SU = renderer of service DP = place of service provision II = renderer of service* * qualifier II is only stated if supplier and renderer of service are different. In this case: * SU = supplier * II = renderer of service (decision meeting 14.01.2009 between GS1 Switzerland and VAT administration)
C082	Party identification details	D			
3039	Party identifier	R an..35		+761234 5000183	Identification of recipient of benefit Identification of renderer of service Identification of delivery place
1131	Code list identification code	N an..17		:	
3055	Code list responsible agency code	R an..3	*	:9	9 = EAN (International Article Numbering association)
C058	Name and address	N			
3124	Name and address description	M an..35		+	
C080	Party name	D			
3036	Party name	R an..35		+Handel s AG	Name of renderer of service Name of recipient of benefit Name of delivery place renderer of service, recipient of benefit are mandatory fields

INVOIC 4.5.0

Segments Layout

	Description	St Format	*	Example	Remarks
3036	Party name	C an..35		: Zentrale r Einkauf	
3036	Party name	C an..35		: Abteilun g ABC- 999	
C059	Street	D			
3042	Street and number or post office box identifier	R an..35		+Kramg asse 17	Street and Number of renderer of service Street and Number of recipient of benefit renderer of service, recipient of benefit are mandatory fields
3042	Street and number or post office box identifier	C an..35		: Postfach	
3164	City name	D an..35		+Hutwil	City/Place of renderer of service City/Place of recipient of benefit renderer of service, recipient of benefit are mandatory fields
C819	Country sub-entity details	N			
3229	Country sub-entity name code	C an..9		+	
3251	Postal identification code	D an..17		+4950	ZIP of renderer of service ZIP of recipient of benefit renderer of service, recipient of benefit are mandatory fields
3207	Country name code	D an..3		+CH'	Country code of renderer of service (coded) (CH = Switzerland) Country code of recipient of benefit (coded) (CH = Switzerland) renderer of service, recipient of benefit are mandatory fields

Description:

At least two complete addresses (Codes BY = recipient of benefit and SU = renderer of service) have to be transmitted in the data element group 3035 - C080 - C059 - 3164 - 3251 - 3207 (Invoicing party: see section 759a, VAT guidance; Invoice recipient 760 (b)).

The delivery place or place of service provision, required by the FDF (Federal Department of Finance), will be stated in the header of the NAD segment. If these are different between one position and the header, then the information have to be stated in the detail line NAD "DP".

Example:

Lieferant = Rechnungssteller:

NAD+BY+7612345000183::9++Handels AG:Zentraler Einkauf+Kramgasse 17:

Postfach+Huttwil++4950+CH'

NAD+SU+7612345000190::9++Lieferant GmbH+Hauptstrasse 37+Oberwil++4104+CH'

NAD+DP+7612345002170::9++++Olten'

Lieferant ungleich Rechnungssteller:

INVOIC 4.5.0

Segments Layout

NAD+BY+7612345000183::9++Handels AG:Zentraler Einkauf+Kramgasse 17:
Postfach+Huttwil++4950+CH'
NAD+SU+7612345000190::9'
NAD+II+7612345008011::9++Holding AG+Paradestrasse+Zürich++8051+CH'
NAD+DP+7612345002170::9++++Olten'

INVOIC 4.5.0

Segments Layout

Group	SG2	Status:R	Max. occ.: 99	NAD-FII-SG3-SG5
Segment	FII	No.: 10 Status:B	Level: 2 Max. occ.: 5	Financial institution information

Description Financial institution information

Description of Segment:

	Description	St Format	*	Example	Remarks
3035	Party function code qualifier	R an..3	*	+RB	RB = Receiving financial institution
C078	Account holder identification	C			
3194	Account holder identifier	R an..35		+994-3277711	
3192	Account holder name	C an..35		: Lieferant GmbH	
3192	Account holder name	C an..35		: Oberwil	
C088	Institution identification	C			
3433	Institution name code	C an..11		+BLKBC H22	
1131	Code list identification code	O an..17	*	:25	25 = Bank identification
3055	Code list responsible agency code	D an..3	*	:5'	5 = ISO (International Organization for Standardization) 17 = S.W.I.F.T.

Description:

Example:

FII+RB+994-3277711:NGEISS+KREDBEBB:25:5'

INVOIC 4.5.0

Segments Layout

Group	SG2	Status:R	Max. occ.: 99	NAD-FII-SG3-SG5
Group	SG3	Status:D	Max. occ.: 9999	RFF
Segment	RFF	No.: 11 Status:R	Level: 2 Max. occ.: 1	Reference

Description Reference

Description of Segment:

	Description	St Format	*	Example	Remarks
C506	Reference	R			
1153	Reference code qualifier	R an..3	*	+VA	VA = VAT registration number YC1 = Additional party identification (GS1 Temporary Code)
1154	Reference identifier	R an..70		: 1754885 '	VAT number of renderer of service VAT number of recipient of benefit Comment of the VAT-Authority: The declaration of the VAT number of the invoicing party/renderer of service (code II from NAD) is mandatory (MWSTG Art. 37 Abs. 1 Bst. a). The VAT number of the recipient of benefit is mandatory at exchange and commission statement. The VAT number of the renderer of service and recipient of benefit is mandatory at credit note which replace an invoice (Art. 3, Abs. 2 EIDI-V). Till end of 2013 you can choose between the old 6-digit VAT number or the new VAT UID number. The new UID number will be transmitted with the qualifier "VA". The UID number has to be submitted in the format CHE999999999. The content of this element is qualified as "CH.MWST" as stated in the "eCH-0097 - Datenstandard Unternehmensidentifikation"

Description:

The specification of the VAT number with code VA is obligatory for the invoicing party (NAD segment code SU or II).

Note: for self-billing or export the VAT number of the recipient is obligatory as well.

Example:

Recommended:
RFF+VA:CHE999999999'

it is up to the discretion of the sender of the message to add one of the official VAT suffixes as shown below:

INVOIC 4.5.0

Segments Layout

RFF+VA:CHE999999999MWST'
RFF+VA:CHE999999999TVA'
RFF+VA:CHE999999999IVA'

INVOIC 4.5.0

Segments Layout

Group	SG2	Status:R	Max. occ.: 99	NAD-FII-SG3-SG5
Group	SG5	Status:C	Max. occ.: 5	CTA-COM
Segment	CTA	No.: 12 Status:R	Level: 2 Max. occ.: 1	Contact information

Description Contact information

Description of Segment:

	Description	St Format	*	Example	Remarks
3139	Contact function code	R an..3	*	+IC	IC = Information contact
C056	Department or employee details	O			
3413	Department or employee name code	C an..17		+EK17	
3412	Department or employee name	C an..35		: Andreas Schneider'	

Description:

Example:

CTA+IC+:Andreas Schneider'

INVOIC 4.5.0

Segments Layout

<i>Group</i>	SG2	Status:R	Max. occ.: 99	NAD-FII-SG3-SG5
<i>Group</i>	SG5	Status:C	Max. occ.: 5	CTA-COM
<i>Segment</i>	COM	No.: 13 Status:C	Level: 3 Max. occ.: 5	Communication contact

Description Communication contact

Description of Segment:

	Description	St Format	*	Example	Remarks
C076	Communication contact	R			
3148	Communication address identifier	R an..51		+033427 1217	
3155	Communication address code qualifier	R an..3	*	:TE'	EM = Electronic mail FX = Fax TE = Telephone

Description:

Example:

COM+0334271217:TE'

INVOIC 4.5.0

Segments Layout

Group **SG7** Status:R Max. occ.: 99 CUX

Segment **CUX** No.: 19 Level: 1 Currencies
 Status:R Max. occ.: 1

Description Currencies

Description of Segment:

	Description	St Format	*	Example	Remarks
C504	Currency details	R			
6347	Currency usage code qualifier	R an..3	*	+2	2 = Reference currency
6345	Currency identification code	R an..3		:CHF	
6343	Currency type code qualifier	R an..3	*	:4'	4 = Invoicing currency Invoice currency (coded)

Description:

Only one currency can be specified per invoice. This currency has to be specified at this place.

Example:

CUX+2:CHF:4'

INVOIC 4.5.0

Segments Layout

Group	SG8	Status:C	Max. occ.: 10	PAT-DTM-PCD
Segment	PAT	No.: 20 Status:R	Level: 1 Max. occ.: 1	Payment terms basis

Description Payment terms basis

Description of Segment:

	Description	St Format	*	Example	Remarks
4279	Payment terms type code qualifier	R an..3	*	+1	1 = Basic 3 = Fixed date 7 = Extended 22 = Discount Code 7 is required for payment form the value date on. It's a bilaterally agreed code. The terms of payment (cash discount, discounts) are defined in the header. Individual items can be marked as 'Not discount permitted' in the detail field.
C110	Payment terms	N			
4277	Payment terms description identifier	M an..17		+	
C112	Terms/time information	C			
2475	Time reference code	R an..3	*	+5	5 = Date of invoice
2009	Terms time relation code	C an..3	*	:3	3 = After reference
2151	Period type code	C an..3	*	:D	D = Day
2152	Period count quantity	C n..3		:30'	

Description:

Example:

PAT+1++5:3:D:30'

INVOIC 4.5.0

Segments Layout

Group **SG8** Status:C Max. occ.: 10 PAT-DTM-PCD

Segment **DTM** No.: 21 Level: 2 Date/time/period
 Status:D Max. occ.: 5

Description Date/time/period

Description of Segment:

	Description	St Format	*	Example	Remarks
C507	Date/time/period	R			
2005	Date or time or period function code qualifier	R an..3	*	+12	12 = Terms discount due date/time 13 = Terms net due date
2380	Date or time or period value	R an..35		: 2006020 9000000	12 = Cash discount expiration date 13 = due date
2379	Date or time or period format code	R an..3	*	:204'	204 = CCYYMMDDHHMMSS

Description:

This segment has to be used for fixed payment terms.

Example:

INVOIC 4.5.0

Segments Layout

Group **SG8** Status:C Max. occ.: 10 PAT-DTM-PCD

Segment **PCD** No.: 22 Level: 2 Percentage details
 Status:C Max. occ.: 1

Description Percentage details

Description of Segment:

	Description	St Format	*	Example	Remarks
C501	Percentage details	R			
5245	Percentage type code qualifier	R an..3	*	+12	7 = Percentage of invoice 12 = Discount
5482	Percentage	R n..10		:2.5'	12 = cash discount

Description:

Example:

PCD+12:2.5'

INVOIC 4.5.0

Segments Layout

Group	SG16	Status: B	Max. occ.: 9999	ALC-SG20-SG22
Segment	ALC	No.: 23 Status: R	Level: 1 Max. occ.: 1	Allowance or charge

Description Allowance or charge

Description of Segment:

	Description	St Format	*	Example	Remarks
5463	Allowance or charge code qualifier	R an..3	*	+C	A = Allowance C = Charge
C552	Allowance/charge information	C			
1230	Allowance or charge identifier	C an..35		+	
4471	Settlement means code	C an..3		+	
1227	Calculation sequence code	C an..3		+	
C214	Special services identification	C			
7161	Special service description code	R an..3	*	+FC'	ABL = Packaging surcharge ADP = Merchandising * AEN = Guarantee service * DI = Discount * FC = Freight charge HD = Handling IN = Insurance IS = Invoice services * SER = Service charge (EAN Code) VAB = Volume discount * The invoice recipient can use the code, marked with *, as follow: DI = discount IS = invoice handling agency discount ADP = marketing fees AEN = del credere SER = service charge VAB = group incentives

Description:

Allowance in this segment group are relevant for the invoicing total. On line level the allowance and charges are only transmitted for costing based purposes.

Example:

INVOIC 4.5.0

Segments Layout

<i>Group</i>	SG16	Status:B	Max. occ.: 9999	ALC-SG20-SG22
<i>Group</i>	SG20	Status:C	Max. occ.: 2	MOA
<i>Segment</i>	MOA	No.: 24 Status:R	Level: 2 Max. occ.: 1	Monetary amount

Description Monetary amount

Description of Segment:

	Description	St Format	*	Example	Remarks
C516	Monetary amount	M			
5025	Monetary amount type code qualifier	R an..3	*	+8	8 = Allowance or charge amount
5004	Monetary amount	R n..35		:125'	Amounts have to be positive

Description:

Example:

INVOIC 4.5.0

Segments Layout

Group	SG16	Status:B	Max. occ.: 9999	ALC-SG20-SG22
Group	SG22	Status:C	Max. occ.: 5	TAX-MOA
Segment	TAX	No.: 25 Status:R	Level: 2 Max. occ.: 1	Duty/tax/fee details

Description Duty/tax/fee details

Description of Segment:

	Description	St Format	*	Example	Remarks
5283	Duty or tax or fee function code qualifier	R an..3	*	+7	7 = Tax
C241	Duty/tax/fee type	C			
5153	Duty or tax or fee type name code	C an..3	*	+VAT	VAT = Value added tax
C533	Duty/tax/fee account detail	C			
5289	Duty or tax or fee account code	M an..6		+	
5286	Duty or tax or fee assessment basis value	C an..15		+	
C243	Duty/tax/fee detail	C			
5279	Duty or tax or fee rate code	C an..7		+	
1131	Code list identification code	C an..17		:	
3055	Code list responsible agency code	C an..3		:	
5278	Duty or tax or fee rate	R an..17		:8'	

Description:

Example:

INVOIC 4.5.0

Segments Layout

<i>Group</i>	SG16	Status:B	Max. occ.: 9999	ALC-SG20-SG22
<i>Group</i>	SG22	Status:C	Max. occ.: 5	TAX-MOA
<i>Segment</i>	MOA	No.: 26 Status:C	Level: 3 Max. occ.: 2	Monetary amount

Description Monetary amount

Description of Segment:

	Description	St Format	*	Example	Remarks
C516	Monetary amount	M			
5025	Monetary amount type code qualifier	R an..3	*	+124	124 = Tax amount 125 = Taxable amount VAT amount payable = Code 124
5004	Monetary amount	R n..35		:9.5'	

Description:

Example:

INVOIC 4.5.0

Segments Layout

Group	SG26	Status:C	Max. occ.: 999999	LIN-PIA-IMD-QTY-ALI-DTM-SG27-SG28-SG29-SG30-SG31-SG34-SG35-SG39
Segment	LIN	No.: 27 Status:R	Level: 1 Max. occ.: 1	Line item

Description Line item

Description of Segment:

	Description	St Format	*	Example	Remarks
1082	Line item identifier	R an..6		+1	
1229	Action request/notification description code	C an..3		+	
C212	Item number identification	D			
7140	Item identifier	R an..35		+400086 2141404	item identification GTIN
7143	Item type identification code	R an..3	*	:SRV	SRV = EAN.UCC Global Trade Item Number
C829	Sub-line information	C			
5495	Sub-line indicator code	R an..3	*	+1	1 = Sub-line information
1082	Line item identifier	R an..6		:1'	

Description:

In the INVOIC the GTIN has to be in the LIN segment and the brief description of the item in the IMD segment, due to the VAT requirement for audit.

Example:

LIN+1+++4000862141404:SRV'

INVOIC 4.5.0

Segments Layout

Group	SG26	Status:C	Max. occ.: 999999	LIN-PIA-IMD-QTY-ALI-DTM-SG27-SG28-SG29-SG30-SG31-SG34-SG35-SG39
Segment	PIA	No.: 28 Status:C	Level: 2 Max. occ.: 25	Additional product id

Description Additional product id

Description of Segment:

	Description	St Format	*	Example	Remarks
4347	Product identifier code qualifier	R an..3	*	+5	1 = Additional identification 5 = Product identification
C212	Item number identification	R			
7140	Item identifier	R an..35		+ABC5343	PIA only if there is no GTIN (LIN), then in combination with IN or SA
7143	Item type identification code	R an..3	*	:IN'	SA = Supplier's item number IN = Buyer's item number SUE = GS1 Global Returnable Asset Identifier, non serialised (GS1 Code) SRV = GS1 Global Trade Item Number

Description:

Customized item information may not be requested by the buyer in the VMI process.

Example:

PIA+5+ABC5343:IN'

PIA+1+5412345123095:SRV'

In diesem Beispiel wird die GTIN der Konsumenteneinheit übermittelt.

INVOIC 4.5.0

Segments Layout

Group Segment	SG26 IMD	Status:C No.: 29 Status:R	Max. occ.: 9999999 Level: 2 Max. occ.: 99	LIN-PIA-IMD-QTY-ALI-DTM-SG27- SG28-SG29-SG30-SG31-SG34- SG35-SG39 Item description
------------------------------------	-------------------------------	-------------------------------------	---	---

Description Item description

Description of Segment:

	Description	St Format	*	Example	Remarks
7077	Description format code	R an..3	*	+F	C = Code (from industry code list) F = Free-form Using code F to indicate the item description. Code C can be used for the transmission of pure codes (TU/CU/DU etc.).
C272	Item characteristic	N			
7081	Item characteristic code	N an..3		+	
C273	Item description	R			
7009	Item description code	R an..17	*	+CU	CU = Consumer unit (EAN Code) RC = Returnable container (EAN Code) SER = Service (EAN Code) TU = Traded unit (EAN Code) Goods / items or services (coded) Specifying if these are goods (code CU / TU), items or services (code SER) is compulsory. In the case of goods code CU, RC or TU can be used. rendering of services: SER goods: CU or TU bundle: RC
1131	Code list identification code	N an..17		:	
3055	Code list responsible agency code	D an..3	*	:9	9 = EAN (International Article Numbering association)
7008	Item description	R an..25		:Acqua Mineral wasser	item description
7008	Item description	C an..25		:	
3453	Language name code	R an..3	*	:DE'	Language of item description DE = German EN = English FR = French IT = Italian RM = Rhaeto-Romance Comment of the VAT Authority: The item description (type, purpose and size of the

INVOIC 4.5.0

Segments Layout

	Description	St Format	*	Example	Remarks
					delivery or service) should be written in one of the official authority language (CH4 national language) for reasons of proof. Generally English is acceptable as well.

Description:

This segment is used to specify the item description and to indicate whether it is a good or a service.

Example:

IMD+C++TU::9'

IMD+F++:::Corn Crispies:250 gr'

INVOIC 4.5.0

Segments Layout

Group	SG26	Status:C	Max. occ.: 999999	LIN-PIA-IMD-QTY-ALI-DTM-SG27-SG28-SG29-SG30-SG31-SG34-SG35-SG39
Segment	QTY	No.: 30 Status:C	Level: 2 Max. occ.: 5	Quantity

Description Quantity

Description of Segment:

	Description	St Format	*	Example	Remarks
C186	Quantity details	R			
6063	Quantity type code qualifier	R an..3	*	+47	46 = Delivered quantity * 47 = Invoiced quantity * 59 = Number of consumer units in the traded unit ** 192 = Free goods quantity * Code 47 has to be transmitted in any case. Code 46 is only needed if the invoiced quantity is different to the delivered quantity. For "credit not related to financial adjustments" and "debit note related to financial adjustments" neither " 46 delivered quantity" nor "47 invoiced quantity" are needed. ** 59 only used with PIA+SRV, as well as necessary information IMD.
6060	Quantity	R an..35		:40	effective quantity invoiced quantity
6411	Measurement unit code	D an..3		:KGM'	Unit of weight for variable product (coded) KGM = kilogram LTR = litre MTR = metre Unit of weight only for rendering of service or variable product

Description:

Example:

QTY+47:40:KGM'

Beispiel Gratismenge:

QTY+46:110' Gelieferte Menge (110 Stück)

QTY+47:100' Verrechnete Menge (100 Stück)

QTY+192:10' Gratismenge (10 Stück)

INVOIC 4.5.0

Segments Layout

Group **SG26** Status:C Max. occ.: 999999 LIN-PIA-IMD-QTY-ALI-DTM-SG27-
 SG28-SG29-SG30-SG31-SG34-
 SG35-SG39

Segment **ALI** No.: 31 Level: 2 **Additional information**
 Status:C Max. occ.: 5

Description Additional information

Description of Segment:

	Description	St Format	*	Example	Remarks
3239	Country of origin name code	N an..3		+	
9213	Duty regime type code	N an..3		+	
4183	Special condition code	R an..3		+15'	15 = Not subject to discount

Description:

Example:
 ALI+++15'

INVOIC 4.5.0

Segments Layout

Group	SG26	Status:C	Max. occ.: 999999	LIN-PIA-IMD-QTY-ALI-DTM-SG27-SG28-SG29-SG30-SG31-SG34-SG35-SG39
Segment	DTM	No.: 32 Status:C	Level: 2 Max. occ.: 35	Date/time/period

Description Date/time/period

Description of Segment:

	Description	St Format	*	Example	Remarks
C507	Date/time/period	R			
2005	Date or time or period function code qualifier	R an..3	*	+35	1 = Service completion date/time, actual 35 = Delivery date/time, actual 263 = Invoicing period if each line item has a different delivery date and, or fulfilment of goods and services, then these information have to be indicated on each position. Code 263 for rendering services and monthly charge Date of delivery Date of rendering services Use for rendering services only: Detailing in periodic billing
2380	Date or time or period value	R an..35		: 2005062 4091500	
2379	Date or time or period format code	R an..3		:204'	204 = CCYYMMDDHHMMSS 718 = CCYYMMDD-CCYYMMDD Use code 718 on monthly charge (rendering of services).

Description:

Angabe des Datums der Lieferung

Example:

DTM+35:20050627091500:204'

INVOIC 4.5.0

Segments Layout

Group	SG26	Status:C	Max. occ.: 999999	LIN-PIA-IMD-QTY-ALI-DTM-SG27-SG28-SG29-SG30-SG31-SG34-SG35-SG39
Group	SG27	Status:C	Max. occ.: 99	MOA
Segment	MOA	No.: 33 Status:R	Level: 2 Max. occ.: 1	Monetary amount

Description Monetary amount

Description of Segment:

	Description	St Format	*	Example	Remarks
C516	Monetary amount	R			
5025	Monetary amount type code qualifier	R an..3	*	+203	203 = Line item amount
5004	Monetary amount	R n..35		:95'	Amount (Net / net)

Description:

ATTENTION!: Only the net / net amount will be transmitted (incl. allowance and charges, excluding VAT).

Example:

MOA+203:580'

INVOIC 4.5.0

Segments Layout

Group	SG26	Status:C	Max. occ.: 999999	LIN-PIA-IMD-QTY-ALI-DTM-SG27-SG28-SG29-SG30-SG31-SG34-SG35-SG39
Group	SG28	Status:C	Max. occ.: 10	PAT
Segment	PAT	No.: 34 Status:R	Level: 2 Max. occ.: 1	Payment terms basis

Description Payment terms basis

Description of Segment:

	Description	St Format	*	Example	Remarks
4279	Payment terms type code qualifier	R an..3	*	+5'	5 = Discount not applicable Terms of payment (allowance, discount) are defined in the header. On line item level, individual items can be marked as 'discount not permitted'.

Description:

Example:
PAT+5'

INVOIC 4.5.0

Segments Layout

Group	SG26	Status:C	Max. occ.: 999999	LIN-PIA-IMD-QTY-ALI-DTM-SG27-SG28-SG29-SG30-SG31-SG34-SG35-SG39
Group	SG29	Status:R	Max. occ.: 25	PRI
Segment	PRI	No.: 35 Status:R	Level: 2 Max. occ.: 1	Price details

Description Price details

Description of Segment:

	Description	St Format	*	Example	Remarks
C509	Price information	R			
5125	Price code qualifier	R an..3		+AAA	Use code AAA for unit price, incl. discount and without tax, indication. Preis pro Einheit (codiert) AAA = Calculation net INF = Information
5118	Price amount	R n..15		:2.37	Price (amount) The price always refers to the GTIN in the LIN. Always transmit the net price. For information purpose, you can use the ALC segment (SG39) to transmit discount an allowance. It's recommended to not to round the unit price or at least at 6 decimal places.
5375	Price type code	N an..3		:	
5387	Price specification code	C an..3	*	:NTP	NTP = Net unit price RTP = Retail price NTP may only be used together with C509. 5125 = AAA RTP may only be used together with C509. 5125 = inf
5284	Unit price basis value	D n..9		:1	This filed may only be used at following conditions: 1. For weight variable product 2. If the display of the unit price would require more decimal places
6411	Measurement unit code	D an..3		:KGM'	PCE = Piece KGM = kilogram LTR = Litre This field is only used for variable weight goods For piece goods, leave it blank. Therefore the qualifier PCE will not be send.

Description:

INVOIC 4.5.0

Segments Layout

Example:

PRI+AAA:2.37::NTP:1:KGM'

Nettopreis, excl. sämtlicher Gebühren und Abgaben

PRI+INF:3.50::RTP:1:KGM'

Verkaufspreis (nur zu informellen Zwecken).

INVOIC 4.5.0

Segments Layout

Group	SG26	Status:C	Max. occ.: 999999	LIN-PIA-IMD-QTY-ALI-DTM-SG27-SG28-SG29-SG30-SG31-SG34-SG35-SG39
Group	SG30	Status:C	Max. occ.: 10	RFF
Segment	RFF	No.: 36 Status:R	Level: 2 Max. occ.: 1	Reference

Description Reference

Description of Segment:

	Description	St Format	*	Example	Remarks
C506	Reference	R			
1153	Reference code qualifier	R an..3	*	+ON	LI = Line item reference number ON = Order number (buyer) VN = Order number (supplier) DQ = Delivery note number The qualifier LI refers to the corresponding line segment in the ORDERS. The corresponding reference has to be transmitted in the header with the qualifier ON (VN) (see Example).
1154	Reference identifier	R an..70		:8306	
1156	Document line identifier	C an..6		:1'	

Description:

Example:

RFF+ON:8306:123'

RFF+LI:123'

INVOIC 4.5.0

Segments Layout

<i>Group</i>	SG26	Status:C	Max. occ.: 999999	LIN-PIA-IMD-QTY-ALI-DTM-SG27-SG28-SG29-SG30-SG31-SG34-SG35-SG39
<i>Group</i>	SG31	Status:C	Max. occ.: 10	PAC-SG32
<i>Segment</i>	PAC	No.: 37 Status:R	Level: 2 Max. occ.: 1	Package

Description Package

Description of Segment:

	Description	St Format	*	Example	Remarks
7224	Package quantity	R n..8		+10'	

Description:

Example:
PAC+10'

INVOIC 4.5.0

Segments Layout

Group	SG26	Status:C	Max. occ.: 999999	LIN-PIA-IMD-QTY-ALI-DTM-SG27-SG28-SG29-SG30-SG31-SG34-SG35-SG39
Group	SG31	Status:C	Max. occ.: 10	PAC-SG32
Group	SG32	Status:C	Max. occ.: 10	PCI-GIN
Segment	PCI	No.: 38 Status:R	Level: 3 Max. occ.: 1	Package identification

Description Package identification

Description of Segment:

	Description	St Format	*	Example	Remarks
4233	Marking instructions code	R an..3	*	+41G'	41G = Marked with GS1 Global Returnable Asset Identifier (GS1 Code)

Description:

Example:
PCI+41G

INVOIC 4.5.0

Segments Layout

Group	SG26	Status:C	Max. occ.: 999999	LIN-PIA-IMD-QTY-ALI-DTM-SG27-SG28-SG29-SG30-SG31-SG34-SG35-SG39
Group	SG31	Status:C	Max. occ.: 10	PAC-SG32
Group	SG32	Status:C	Max. occ.: 10	PCI-GIN
Segment	GIN	No.: 39 Status:R	Level: 4 Max. occ.: 10	Goods identity number

Description Goods identity number

Description of Segment:

	Description	St Format	*	Example	Remarks
7405	Object identification code qualifier	R an..3	*	+DB	DB = GS1 Global Returnable Asset Identifier, with serial number
C208	Identity number range	R			
7402	Object identifier	R an..35		+761063 2984734 '	

Description:

Example:

GIN+DA+7610632984734'

INVOIC 4.5.0

Segments Layout

Group	SG26	Status:C	Max. occ.: 999999	LIN-PIA-IMD-QTY-ALI-DTM-SG27-SG28-SG29-SG30-SG31-SG34-SG35-SG39
Group	SG34	Status:C	Max. occ.: 99	TAX-MOA
Segment	TAX	No.: 40 Status:R	Level: 2 Max. occ.: 1	Duty/tax/fee details

Description Duty/tax/fee details

Description of Segment:

	Description	St Format	*	Example	Remarks
5283	Duty or tax or fee function code qualifier	R an..3	*	+7	7 = Tax
C241	Duty/tax/fee type	D			
5153	Duty or tax or fee type name code	C an..3	*	+VAT	VAT = Value added tax
C533	Duty/tax/fee account detail	N			
5289	Duty or tax or fee account code	R an..6		+	
5286	Duty or tax or fee assessment basis value	N an..15		+	
C243	Duty/tax/fee detail	C			
5279	Duty or tax or fee rate code	N an..7		+	
1131	Code list identification code	N an..17		:	
3055	Code list responsible agency code	N an..3		:	
5278	Duty or tax or fee rate	R an..17		:8'	VAT rate (Example: 2.4 or 0.0) VAT rate in %

Description:

Indication of the VAT rate for each item on the invoice.
The VAT rate is always transmitted on line level.

Example:

TAX+7+VAT++++:8'

INVOIC 4.5.0

Segments Layout

Group	SG26	Status:C	Max. occ.: 999999	LIN-PIA-IMD-QTY-ALI-DTM-SG27-SG28-SG29-SG30-SG31-SG34-SG35-SG39
Group	SG34	Status:C	Max. occ.: 99	TAX-MOA
Segment	MOA	No.: 41 Status:R	Level: 3 Max. occ.: 2	Monetary amount

Description Monetary amount

Description of Segment:

	Description	St Format	*	Example	Remarks
C516	Monetary amount	R			
5025	Monetary amount type code qualifier	R an..3	*	+124	124 = Tax amount 125 = Taxable amount payable VAT amount = Code 124 taxable amount (without VAT) code = 125 It is always recommended to use both Qualifier (124 & 125)
5004	Monetary amount	R n..35		:7.60'	Amount

Description:

Example:

MOA+124:7.80'

MOA+125:102.60'

INVOIC 4.5.0

Segments Layout

Group	SG26	Status:C	Max. occ.: 999999	LIN-PIA-IMD-QTY-ALI-DTM-SG27-SG28-SG29-SG30-SG31-SG34-SG35-SG39
Group	SG35	Status:B	Max. occ.: 99	NAD
Segment	NAD	No.: 43 Status:B	Level: 2 Max. occ.: 1	Name and address

Description Name and address

Description of Segment:

	Description	St Format	*	Example	Remarks
3035	Party function code qualifier	R an..3	*	+DP	DP = Delivery party GLN Format n13 Definition of the VAT terms: DP = Place of service provision
C082	Party identification details	C			
3039	Party identifier	R an..35		+761234 5002194	
1131	Code list identification code	C an..17		:	
3055	Code list responsible agency code	R an..3	*	:9	9 = EAN (International Article Numbering association)
C058	Name and address	N			
3124	Name and address description	M an..35		+	
C080	Party name	D			
3036	Party name	R an..35		+Frau	Name of renderer of service Name of recipient of benefit Name of delivery place renderer of service, recipient of benefit are mandatory fields
3036	Party name	C an..35		:Dora Müller	
C059	Street	D			
3042	Street and number or post office box identifier	R an..35		+Bahnh ofstrass e 17	Street and Number of renderer of service Street and Number of recipient of benefit renderer of service, recipient of benefit are mandatory fields
3042	Street and number or post office box identifier	C an..35		:1. Stock	
3164	City name	D an..35		+Basel	City/Place of recipient of benefit renderer of service, recipient of benefit are mandatory fields

INVOIC 4.5.0

Segments Layout

	Description	St Format	*	Example	Remarks
C819	Country sub-entity details	N			
3229	Country sub-entity name code	C an..9		+	
3251	Postal identification code	D an..17		+X	ZIP of recipient of benefit renderer of service, recipient of benefit are mandatory fields
3207	Country name code	D an..3		+AD'	Country code of recipient of benefit (coded) (CH = Switzerland) renderer of service, recipient of benefit are mandatory fields

Description:

Example:

NAD+DP+5412345000013:::9'

INVOIC 4.5.0

Segments Layout

Group	SG26	Status:C	Max. occ.: 999999	LIN-PIA-IMD-QTY-ALI-DTM-SG27-SG28-SG29-SG30-SG31-SG34-SG35-SG39
Group	SG39	Status:C	Max. occ.: 30	ALC-SG41-SG42
Segment	ALC	No.: 44 Status:R	Level: 2 Max. occ.: 1	Allowance or charge

Description Allowance or charge

Description of Segment:

	Description	St Format	*	Example	Remarks
5463	Allowance or charge code qualifier	R an..3	*	+A	A = Allowance C = Charge
C552	Allowance/charge information	C			
1230	Allowance or charge identifier	R an..35		+SE-100100	Several tariffs can be transmitted with the following formats: SE-xxxxxx for SENS SW-xxxxxx for SWICO SL-xxxxxx for SLRS IB-xxxxxx for INOBAT SU-xxxxxx for SUISA BS-xxxxxx for Bioswiss
4471	Settlement means code	C an..3		+	
1227	Calculation sequence code	C an..3		+	
C214	Special services identification	D			
7161	Special service description code	R an..3	*	+DI'	AEP = Copyright fee collection services AEO = Collection and recycling service AEV = Environmental protection service DI = Discount MAC = Minimum order/minimum billing charge X21 = Special agreement (EAN Code) 'DI' nur bei Code 'A' in DE 5463 AEO = VRG AEV = VOC AEP = details to copyright X21 = BIO-Suisse

Description:

In this segment allowances and charges are stated. This is for information purposes only.

Example:

ALC+A++++DI'

INVOIC 4.5.0

Segments Layout

Beispiel VRG Abgabe:

ALC+C+SE-000002+++AEO' SENS-Tarif Code 2

Beispiel SUIZA Gebühr:

ALC+C+SU-000033+++AEP' SUIZA Gebühr Code 33

Beispiel Bio-Suisse Abgabe:

ALC+C+BS-000001+++X21' BioKnospe Code 1

INVOIC 4.5.0

Segments Layout

Group	SG26	Status:C	Max. occ.: 999999	LIN-PIA-IMD-QTY-ALI-DTM-SG27-SG28-SG29-SG30-SG31-SG34-SG35-SG39
Group	SG39	Status:C	Max. occ.: 30	ALC-SG41-SG42
Group	SG41	Status:C	Max. occ.: 1	PCD
Segment	PCD	No.: 45 Status:R	Level: 3 Max. occ.: 1	Percentage details

Description Percentage details

Description of Segment:

	Description	St Format	*	Example	Remarks
C501	Percentage details	R			
5245	Percentage type code qualifier	R an..3	*	+1	1 = Allowance 2 = Charge 3 = Allowance or charge
5482	Percentage	R n..10		:0.75'	

Description:

Example:

PCD+1:0.75'

INVOIC 4.5.0

Segments Layout

Group	SG26	Status:C	Max. occ.: 999999	LIN-PIA-IMD-QTY-ALI-DTM-SG27-SG28-SG29-SG30-SG31-SG34-SG35-SG39
Group	SG39	Status:C	Max. occ.: 30	ALC-SG41-SG42
Group	SG42	Status:C	Max. occ.: 2	MOA
Segment	MOA	No.: 46 Status:R	Level: 3 Max. occ.: 1	Monetary amount

Description Monetary amount

Description of Segment:

	Description	St Format	*	Example	Remarks
C516	Monetary amount	R			
5025	Monetary amount type code qualifier	R an..3	*	+23	23 = Charge amount 204 = Allowance amount
5004	Monetary amount	R n..35		:12.20'	Amounts must be positive

Description:

Example:

MOA+23:12.20'

INVOIC 4.5.0

Segments Layout

Segment **UNS** No.: 47 Level: 0 Section control
 Status: R Max. occ.: 1

Description Section control

Description of Segment:

	Description	St Format	*	Example	Remarks
0081	Section identification	R a1	*	+S'	S = Detail/summary section separation

Description:

Example:
 UNS+S'

INVOIC 4.5.0

Segments Layout

Segment **CNT** No.: 48 Level: 1 Control total
 Status: C Max. occ.: 10

Description Control total

Description of Segment:

	Description	St Format	*	Example	Remarks
C270	Control	R			
6069	Control total type code qualifier	R an..3	*	+2	2 = Number of line items in message
6066	Control total value	R n..18		:120'	

Description:

Example:

CNT+2:120'

INVOIC 4.5.0

Segments Layout

Group	SG50	Status:R	Max. occ.: 100	MOA-SG51
Segment	MOA	No.: 49 Status:R	Level: 1 Max. occ.: 1	Monetary amount

Description Monetary amount

Description of Segment:

	Description	St Format	*	Example	Remarks
C516	Monetary amount	R			
5025	Monetary amount type code qualifier	R an..3	*	+77	77 = Invoice amount 79 = Total line items amount 86 = Message total monetary amount 129 = Total amount subject to payment discount 131 = Total charges/allowances 176 = Message total duty/tax/fee amount Recommendation: Use code 77 instead of 86. Code 77 is the most used one within Europe
5004	Monetary amount	R n..35		:102'	

Description:

Example:

MOA+77:102'

INVOIC 4.5.0

Segments Layout

Group	SG50	Status:R	Max. occ.: 100	MOA-SG51
Group	SG51	Status:C	Max. occ.: 1	RFF
Segment	RFF	No.: 50 Status:R	Level: 2 Max. occ.: 1	Reference

Description Reference

Description of Segment:

	Description	St Format	*	Example	Remarks
C506	Reference	R			
1153	Reference code qualifier	R an..3	*	+PQ	PQ = Payment reference AHJ = Payee's reference number PQ = ESR-reference number AJH = ESR-reference number including participant number and special characters
1154	Reference identifier	R an..70		: 9000351 9625690 0000000 000003'	

Description:

Example:

RFF+PQ:9000351962569000000000000003'

RFF+AHJ:0100003949753>120000000000234478943216899+010001628>'

INVOIC 4.5.0

Segments Layout

Group **SG52** Status:C Max. occ.: 10 TAX-MOA

Segment **TAX** No.: 51 Level: 1 Duty/tax/fee details
 Status:R Max. occ.: 1

Description Duty/tax/fee details

Description of Segment:

	Description	St Format	*	Example	Remarks
5283	Duty or tax or fee function code qualifier	R an..3	*	+7	7 = Tax
C241	Duty/tax/fee type	D			
5153	Duty or tax or fee type name code	C an..3	*	+VAT	VAT = Value added tax
C533	Duty/tax/fee account detail	C			
5289	Duty or tax or fee account code	R an..6		+	
5286	Duty or tax or fee assessment basis value	C an..15		+	
C243	Duty/tax/fee detail	C			
5279	Duty or tax or fee rate code	C an..7		+	
1131	Code list identification code	C an..17		:	
3055	Code list responsible agency code	C an..3		:	
5278	Duty or tax or fee rate	R an..17		:8	Angabe MwSt Satz, falls verschiedene Sätze in der Rechnung vorhanden sind, muss diese Information auch mehrfach geliefert werden. MWST Satz (Bsp: 2.4) Steuerbefreite Beträge mit 0 ausweisen
5305	Duty or tax or fee category code	C an..3		+	
3446	Party tax identifier	C an..20		+CHE99 9999999 '	

Description:

Example:

TAX+7+VAT++++:::8++615569'

INVOIC 4.5.0

Segments Layout

Group	SG52	Status:C	Max. occ.: 10	TAX-MOA
Segment	MOA	No.: 52 Status:C	Level: 2 Max. occ.: 9	Monetary amount

Description Monetary amount

Description of Segment:

	Description	St Format	*	Example	Remarks
C516	Monetary amount	R			
5025	Monetary amount type code qualifier	M an..3	*	+124	124 = Tax amount / zu zahlender MWST Betrag 125 = Taxable amount / versteuernder Betrag zu zahlender MwSt Betrag der Gesamtrechnung) = Code 124 zu versteuernder Betrag der Gesamtrechnung (ohne MwSt) = Code 125 Es wird empfohlen IMMER beide Qualifier (124 & 125) zu benutzen
5004	Monetary amount	R n..35		:7.60'	MWST-Betrag (Summe)

Description:

Example:

MOA+124:95'

INVOIC 4.5.0

Segments Layout

Group	SG54; 01; C	Status:R	Max. occ.: 99	UST
Segment	UST	No.: 53 Status:R	Level: 1 Max. occ.: 1	Security trailer

Description Security trailer

Description of Segment:

Description:

Die Sicherheitssegmente

SG1 USH

SG1 USA

SG1/SG2 USC

SG1/SG2 USA

SG54 UST

SG54 USR

werden in einem separaten Dokument beschrieben

Example:

INVOIC 4.5.0

Segments Layout

Segment **UNT** No.: 54 Level: 0 **Message trailer**
 Status: R Max. occ.: 1

Description Message trailer

Description of Segment:

	Description	St Format	*	Example	Remarks
0074	Number of segments in a message	R n..10		+54	
0062	Message reference number	R an..14		+1'	

Description:

Example:
 UNT+35+1'

INVOIC 4.5.0 incl. bilateral agreements

List of changes

No.	Description	Segments and elements			
01	15.12.2011/4.0.0: Modification Best Practice Text QTY	30	QTY	C186	6063
		SG26#1			
02	15.12.2011/4.0.0: ALI Segment inserted: CR 11-003	31	ALI		
		SG26#1			
03	15.12.2011/4.0.0: Publication of version 4.0.0	1	UNH		
04	15.05.2012/4.1.0: Deletion of suffix 'MWST' within the description of UID number	11	RFF		
		SG2#1\SG3#1			
05	15.05.2012/4.1.0: Publication of version 4.1.0	1	UNH		
06	08.08.2012/4.1.1: Tax rate adapted 4.1.1	25	TAX		
		SG16#1\SG22#1			
07	08.08.2012/4.1.1: Tax rate adapted 4.1.1	40	TAX		
		SG26#1\SG34#1			
08	08.08.2012/4.1.1: Tax rate + UID number adapted 4.1.1	51	TAX		
		SG52#1			
09	08.08.2012/4.1.1: Publication of version 4.1.1	1	UNH		
10	18.07.2013/4.2.0: Publication of version 4.2.0	1	UNH		
11	18.07.2013/4.2.0: CR 12-002 - Qualifier SUE added (European RTI Guide)	28	PIA	C212	7143
		SG26#1			
12	18.07.2013/4.2.0: CR 12-002 - PAC Segment added (European RTI Guide)	37	PAC		
		SG26#1\SG31#1			
13	18.07.2013/4.2.0: CR 12-002-PCI Segment added (European RTI Guide)	38	PCI		
		SG26#1\SG31#1\SG32#1			
14	18.07.2013/4.2.0: CR 12-002-GIN Segment added (European RTI Guide)	39	GIN		
		SG26#1\SG31#1\SG32#1			
15	18.07.2013/4.2.0: CR 12-002 - Qualifier DB added (European RTI Guide)	39	GIN		7405
		SG26#1\SG31#1\SG32#1			
16	18.07.2013/4.2.0: CR 12-003 - Qualifiers AIZ, CD & DL deleted	7	RFF	C506	1153
		SG1#1			
17	18.07.2013/4.2.0: CR 12-003 - Best practice recommendation added	7	RFF	C506	1153
		SG1#1			
18	18.07.2013/4.2.0: CR 12-003 - Best practice recommendation added	8	DTM		
		SG1#1			
19	18.07.2013/4.2.0: CR 12-003 - Best practice recommendation added	30	QTY	C186	6063
		SG26#1			
20	07.01.2014/4.2.1: Publication of version 4.2.1	1	UNH		
21	07.01.2014/4.2.1: Modification explanations and examples of RFF+VAT segment	11	RFF		
		SG2#1\SG3#1			
22	07.01.2014/4.2.1: Modification examples of NAD segment	9	NAD		3035
		SG2#1			
23	07.01.2014/4.2.1: Substitution of all status "M" by status "R"	1	UNH		
24	07.01.2014/4.2.1: Substitution of all status "O" by status "C"	1	UNH		

INVOIC 4.5.0 incl. bilateral agreements

List of changes

No.	Description	Segments and elements			
25	12.02.2014/4.2.2: Correction of several mistakes in writing	1	UNH		
26	12.02.2014/4.2.1: Publication of version 4.2.2	1	UNH		
27	13.07.2015/4.3.0: Publication of version 4.3.0	1	UNH		
28	13.07.2015/4.3.0: NAD-Segment on Line-Level - open segment for address	1	UNH		
29	13.07.2015/4.3.0: Code DQ (added) - CR 15-001	36	RFF	C506	1153
		SG26#1\SG30#1			
30	13.07.2015/4.3.0: Code ALQ added - CR 13-004	7	RFF	C506	1153
		SG1#1			
31	12.02.2016/4.4.0: Publication of version 4.4.0	1	UNH		
32	12.02.2016/4.4.1: Publication of version 4.4.1	1	UNH		
33	12.02.2016/4.4.0: Enabling 3rd line "Party Name) - CR 15-006	9	NAD	C080	3036
		SG2#1			
34	13.02.2017/Qualifier SRV added (missing by error))	28	PIA	C212	7143
		SG26#1			
35	06.07.2017/4.5.0: Qualifier YC1 added (WR 17-001)	11	RFF	C506	1153
		SG2#1\SG3#1			
36	06.07.2017/4.5.0: Publication of version 4.5.0	1	UNH		

**GS1 Schweiz ist
der Fachverband
für nachhaltige
Wertschöpfungs-
netzwerke.**

GS1 Switzerland
Länggassstrasse 21
CH-3012 Bern
T +41 58 800 70 00
M info@gs1.ch
www.gs1.ch



Kompetenzplattform Ganzheitlich denken - Ressourcen schonen



Kompetenzvermittlung Wissen vermitteln - Kompetenz steigern



Kollaboration Zusammenarbeit fördern - Wertschöpfung verbessern



Standards Standards nutzen - Effizienz erhöhen



Nachhaltigkeit Ganzheitlich denken - Ressourcen schonen